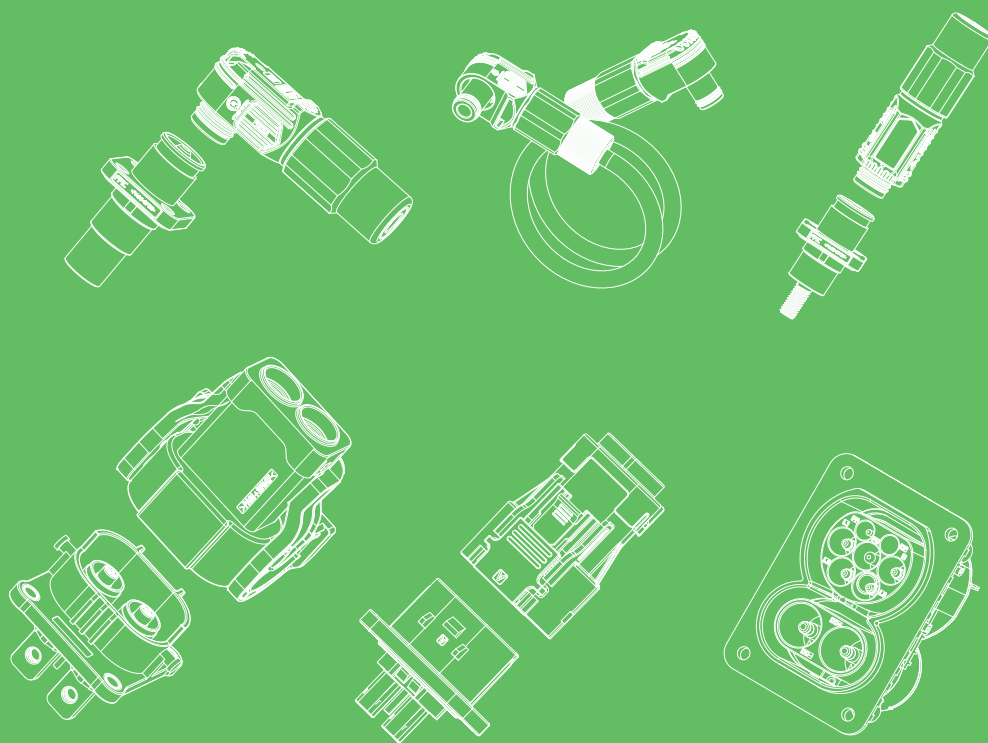


## New Energy Connectors and Cable



2022

**“IF THERE IS A WAY  
TO DO IT BETTER,  
FIND IT”**

**By : Thomas Alva Edison**

## Company Profile >>>

Shenzhen Forman Precision Industry Co., Ltd. (Abbreviation FPIC) has always been committed to the research, development and manufacture of OEM automotive components, energy storage connectors, electronic connectors, wire harnesses, thermal modules, plastic parts and metal parts since 1999.

FPIC has been attaching importance to scientific production and efficient quality control, we have introduced the ISO9001, ISO14001, and IATF16949 management systems, also the ERP and MES (Manufacturing Execution System). Nowadays, we have our own R&D Center, Testing Center, and Production Departments for Mould-Making, Injection Molding, Stamping, and Assembly.

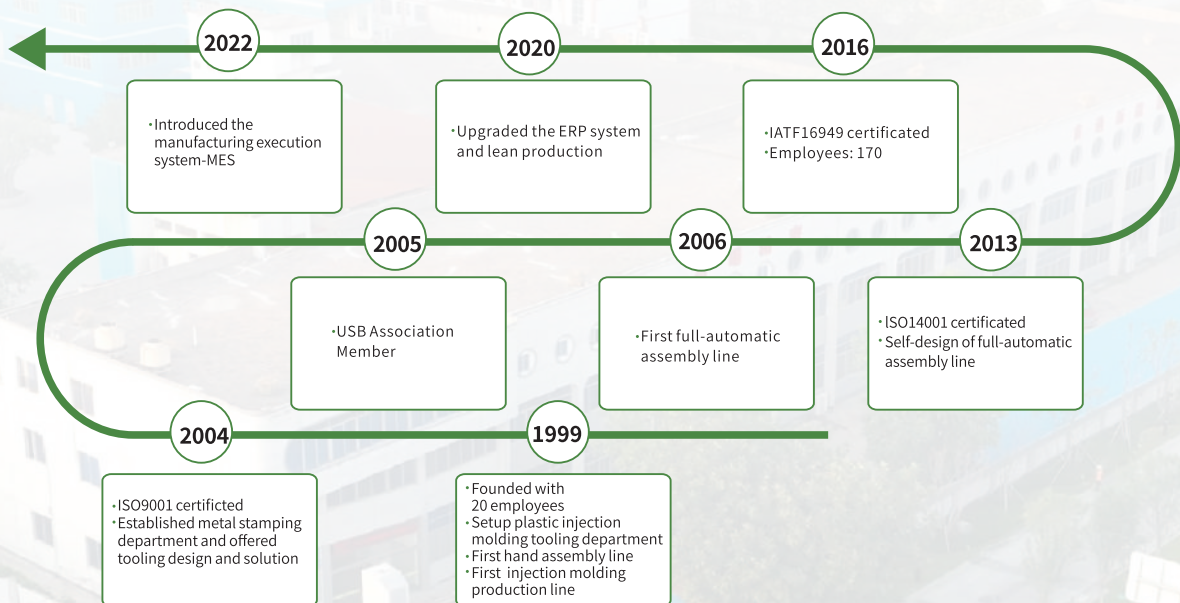
Insisting on the philosophy of “Focus on Customer, Contributor Based, and Always Going All Out”, FPIC offers good quality controlling capability, super flexible delivery, and continuous cost optimization, we look forward to working together with you for mutual development and benefits.



Reception

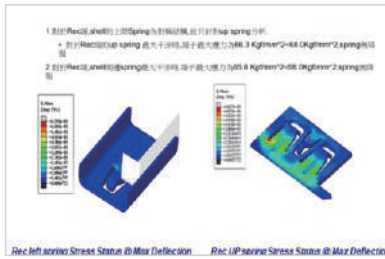


Office

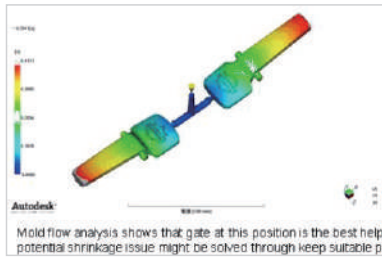


# Our Advantages

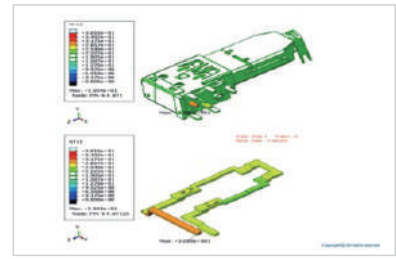
The Experienced R&D Team and CAE Software Support



Simulation Result- Stress Status@ Shell Spring



Mold Flow Simulation Test



Current Rating Simulation Test

The Modernization One-stop Production Process



Wire EDM Center



Mould Workshop



Stamping Workshop



Plastic Injection Workshop



Wire Harness Workshop



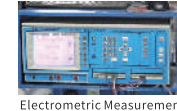
Warehouse



Automatic Assembly Workshop



CCD Imaging Analysis



Electrometric Measurement



Automatic Packing

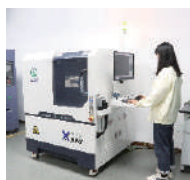
We Strictly Implement The Process Of Product Quality.



Keyence Tester



X-Ray Plating Thickness Tester



X-Ray Scenograph



Halogen Testing Machine



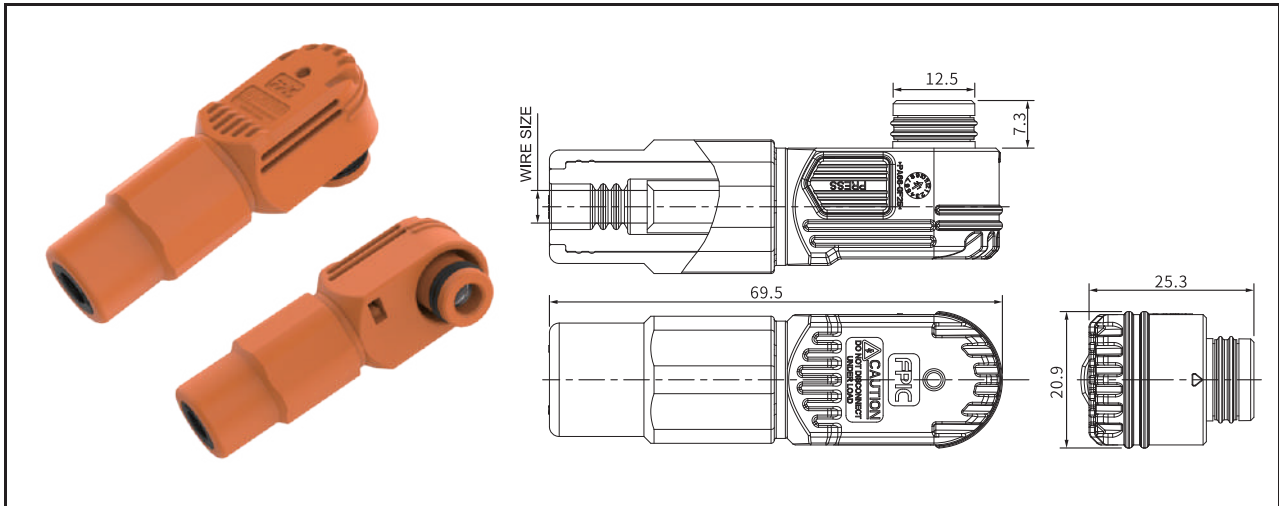
Constant Temperature & Humidity Tester



Thermal Shock Test Chamber

# Contents

Energy Storage Connectors	01-31
EV Connectors	32-38
Energy Storage Cable	39-41
Other Products	42

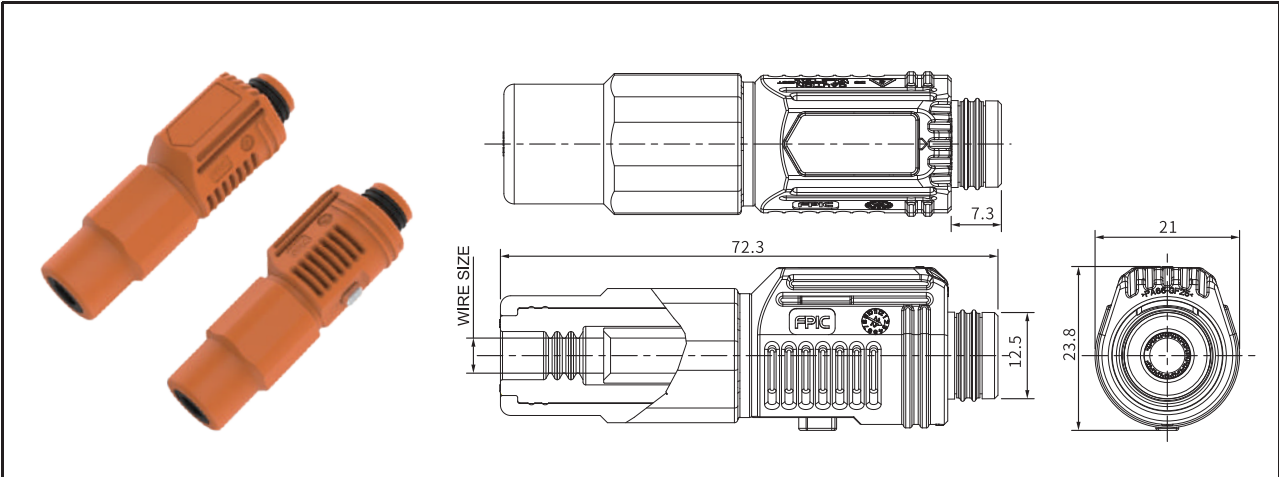


Product Information		Product Parameter	
*Housing Material	PA66+GF25	Rated Current	60A~120A
*Unlocking Method	Hand Unlocking	Rated Voltage	1000V DC
*Palm Rejection	IP2XB	Voltage Resistance	3000V AC
*Wire Size	10mm <sup>2</sup> ~25mm <sup>2</sup>	Insulation Resistance	1000MΩ Min
*Pin Size	6.0mm	Life Time	≥100 Cycles
*Operation Temperature	-40°C~125°C	IP Level	IP67

Part No.	Wire Size	Rated Current	Color
A082-1F06-C010N-0A	10mm <sup>2</sup>	60A	Black
A082-1F06-C010N-5A			Red
A082-1F06-C010N-6A			Orange
A082-1F06-C016N-0A	16mm <sup>2</sup>	80A	Black
A082-1F06-C016N-5A			Red
A082-1F06-C016N-6A			Orange
A082-1F06-C025N-0A	25mm <sup>2</sup>	120A	Black
A082-1F06-C025N-5A			Red
A082-1F06-C025N-6A			Orange

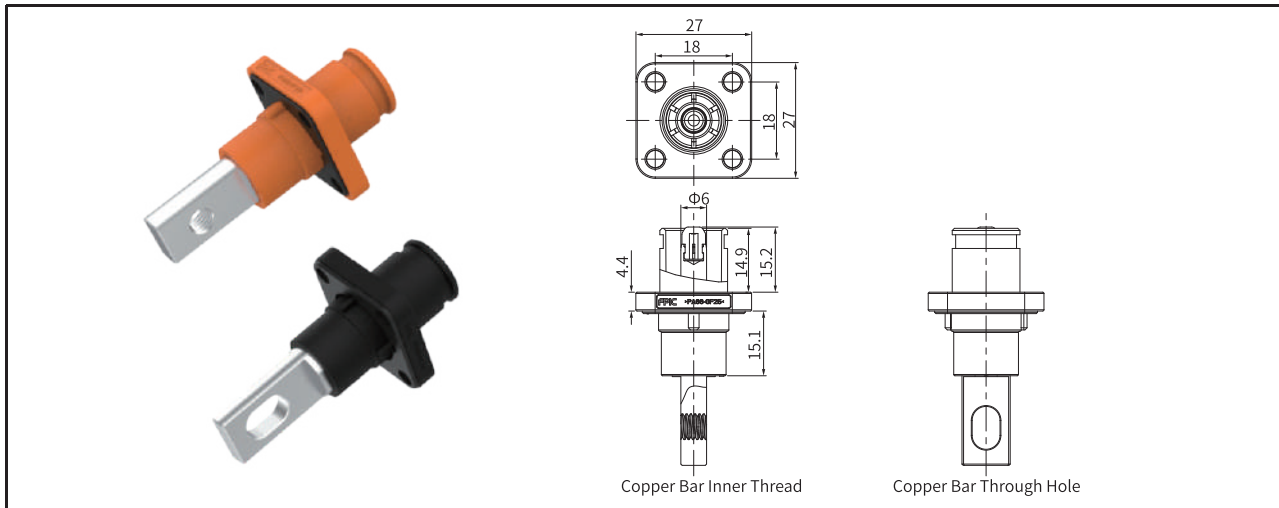
# 60A~120A Straight Plug

Energy Storage Connectors



Product Information		Product Parameter	
*Housing Material	PA66+GF25	Rated Current	60A~120A
*Unlocking Method	Tool Or Hand Unlocking	Rated Voltage	1000V DC
*Palm Rejection	IP2XB	Voltage Resistance	3000V AC
*Wire Size	10mm <sup>2</sup> ~25mm <sup>2</sup>	Insulation Resistance	1000MΩ Min
*Pin Size	6.0mm	Life Time	≥100 Cycles
*Operation Temperature	-40°C~125°C	IP Level	IP67

Part No.	Wire Size	Rated Current	Color
A082-0F06-C010N-0A	10mm <sup>2</sup>	60A	Black
A082-0F06-C010N-5A			Red
A082-0F06-C010N-6A			Orange
A082-0F06-C016N-0A	16mm <sup>2</sup>	80A	Black
A082-0F06-C016N-5A			Red
A082-0F06-C016N-6A			Orange
A082-0F06-C025N-0A	25mm <sup>2</sup>	120A	Black
A082-0F06-C025N-5A			Red
A082-0F06-C025N-6A			Orange

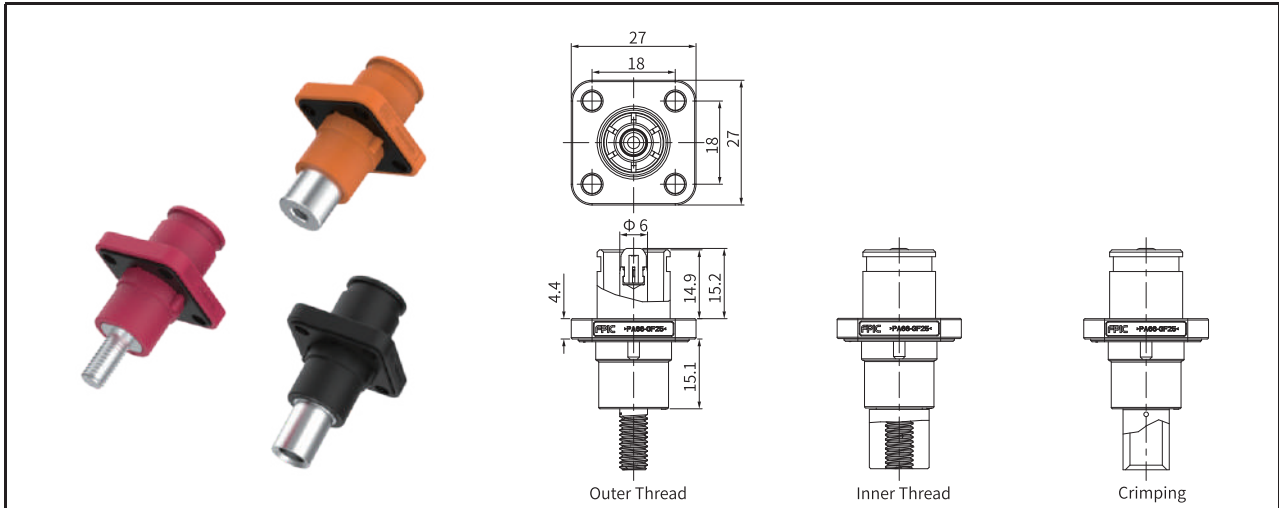


Product Information		Product Parameter	
*Housing Material	PA66+GF25	Rated Current	120A
*Connection Type	Thread/Through Hole	Rated Voltage	1000V DC
*Palm Rejection	IP2XB	Voltage Resistance	3000V AC
*Installation Location	Front Installation	Insulation Resistance	1000MΩ Min
*Pin Size	6.0mm	Life Time	≥100 Cycles
*Operation Temperature	-40°C~125°C	IP Level	IP67

Part No.	Connection Type	Rated Current	Color
A082-2M06-D006F-0A	Copper Bar Inner Thread	120A	Black
A082-2M06-D006F-5A			Red
A082-2M06-D006F-6A			Orange
A082-2M06-E006F-0A	Copper Bar Through Hole		Black
A082-2M06-E006F-5A			Red
A082-2M06-E006F-6A			Orange



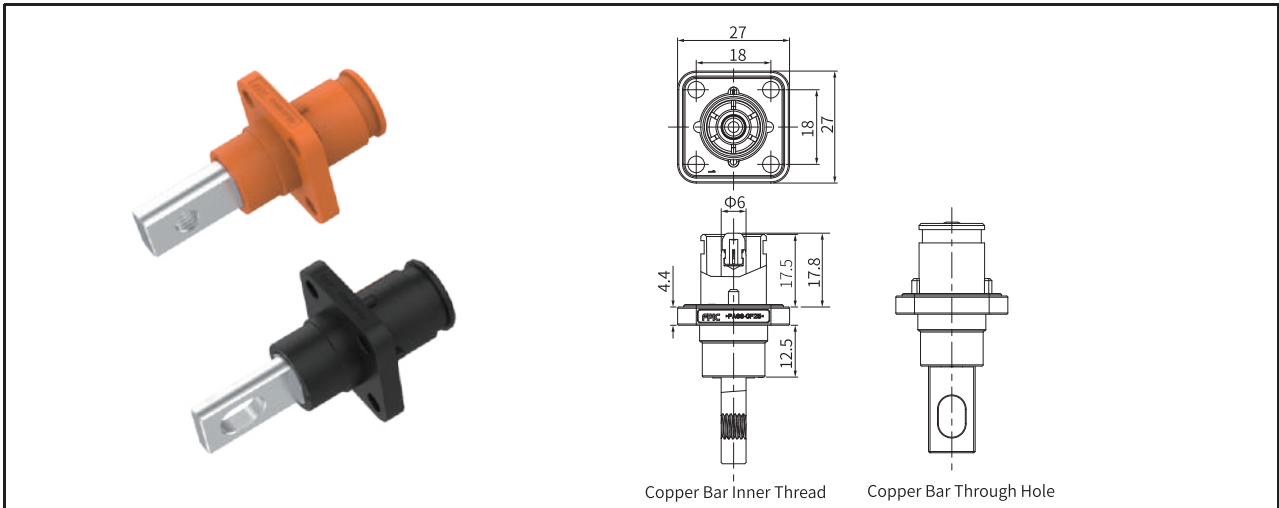
# 120A Receptacle



Product Information		Product Parameter	
*Housing Material	PA66+GF25	Rated Current	120A
*Connection Type	Thread/Crimping	Rated Voltage	1000V DC
*Palm Rejection	IP2XB	Voltage Resistance	3000V AC
*Installation Location	Front Installation	Insulation Resistance	1000MΩ Min
*Pin Size	6.0mm	Life Time	≥100 Cycles
*Operation Temperature	-40°C~125°C	IP Level	IP67

Part No.	Connection Type	Rated Current	Color
A082-2M06-A006F-0A	Inner Thread	120A	Black
A082-2M06-A006F-5A			Red
A082-2M06-A006F-6A			Orange
A082-2M06-B006F-0A	Outer Thread		Black
A082-2M06-B006F-5A			Red
A082-2M06-B006F-6A			Orange
A082-2M06-C025F-0A	Crimping		Black
A082-2M06-C025F-5A			Red
A082-2M06-C025F-6A			Orange

Energy Storage Connectors

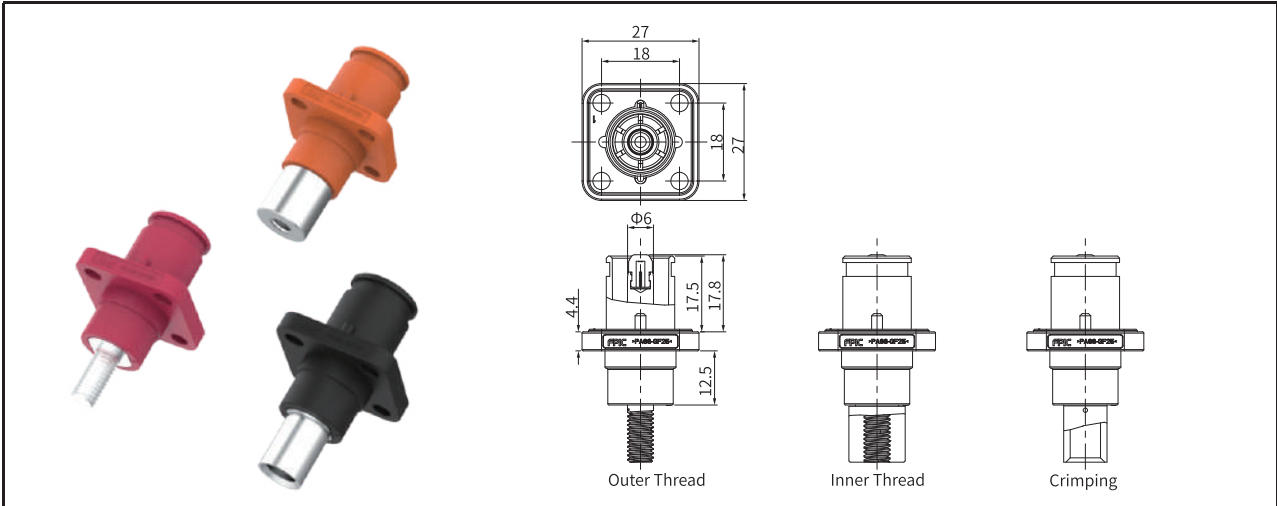


Product Information		Product Parameter	
*Housing Material	PA66+GF25	Rated Current	120A
*Connection Type	Thread/Through Hole	Rated Voltage	1000V DC
*Palm Rejection	IP2XB	Voltage Resistance	3000V AC
*Installation Location	Back Installation	Insulation Resistance	1000MΩ Min
*Pin Size	6.0mm	Life Time	≥100 Cycles
*Operation Temperature	-40°C~125°C	IP Level	IP67

Part No.	Connection Type	Rated Current	Color
A082-2M06-D006B-0A	Copper Bar Inner Thread	120A	Black
A082-2M06-D006B-5A			Red
A082-2M06-D006B-6A			Orange
A082-2M06-E006B-0A	Copper Bar Through Hole		Black
A082-2M06-E006B-5A			Red
A082-2M06-E006B-6A			Orange

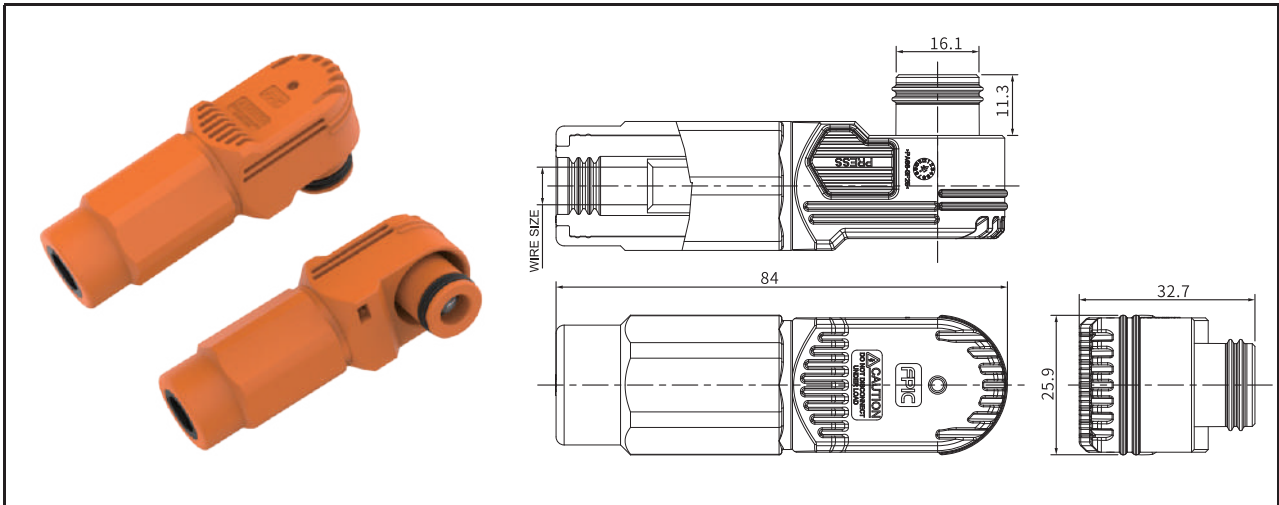
# 120A Receptacle

Energy Storage Connectors



Product Information		Product Parameter	
*Housing Material	PA66+GF25	Rated Current	60A~120A
*Connection Type	Thread/Crimping	Rated Voltage	1000V DC
*Palm Rejection	IP2XB	Voltage Resistance	3000V AC
*Installation Location	Back Installation	Insulation Resistance	1000MΩ Min
*Pin Size	6.0mm	Life Time	≥100 Cycles
*Operation Temperature	-40°C~125°C	IP Level	IP67

Part No.	Connection Type	Rated Current	Color
A082-2M06-A006B-0A	Inner Thread	120A	Black
A082-2M06-A006B-5A			Red
A082-2M06-A006B-6A			Orange
A082-2M06-B006B-0A	Outer Thread		Black
A082-2M06-B006B-5A			Red
A082-2M06-B006B-6A			Orange
A082-2M06-C025B-0A	Crimping		Black
A082-2M06-C025B-5A			Red
A082-2M06-C025B-6A			Orange

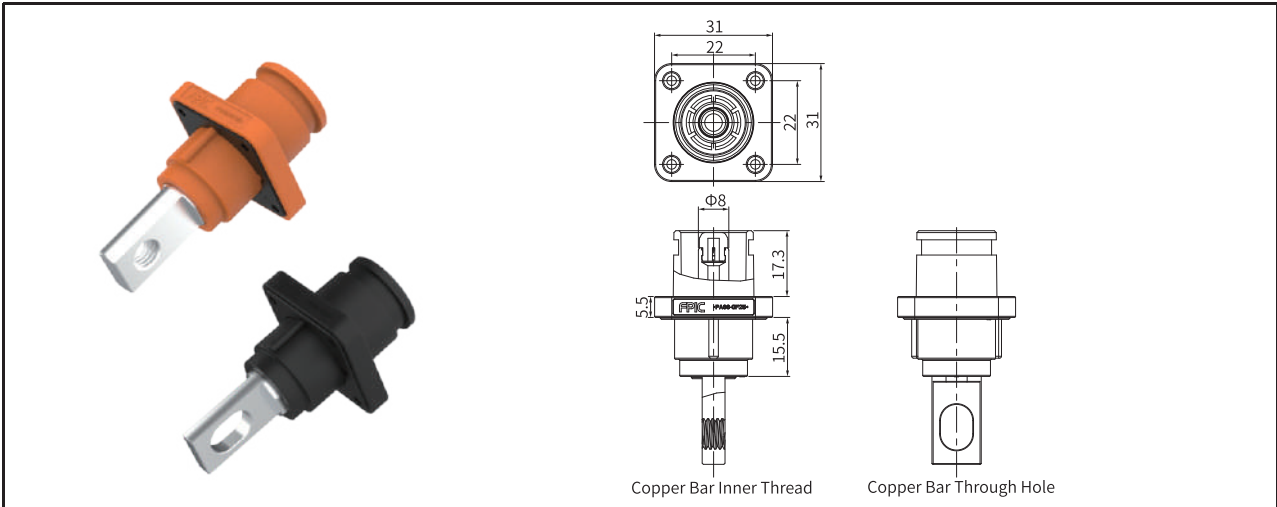


Product Information		Product Parameter	
*Housing Material	PA66+GF25	Rated Current	120A~200A
*Unlocking Method	Hand Unlocking	Rated Voltage	1000V DC
*Palm Rejection	IP2XB	Voltage Resistance	3000V AC
*Wire Size	25mm <sup>2</sup> ~50mm <sup>2</sup>	Insulation Resistance	1000MΩ Min
*Pin Size	8.0mm	Life Time	≥100 Cycles
*Operation Temperature	-40°C~125°C	IP Level	IP67

Part No.	Wire Size	Rated Current	Color
A081-1F08-C025N-0A	25mm <sup>2</sup>	120A	Black
A081-1F08-C025N-5A			Red
A081-1F08-C025N-6A			Orange
A081-1F08-C035N-0A	35mm <sup>2</sup>	150A	Black
A081-1F08-C035N-5A			Red
A081-1F08-C035N-6A			Orange
A081-1F08-C050N-0A	50mm <sup>2</sup>	200A	Black
A081-1F08-C050N-5A			Red
A081-1F08-C050N-6A			Orange

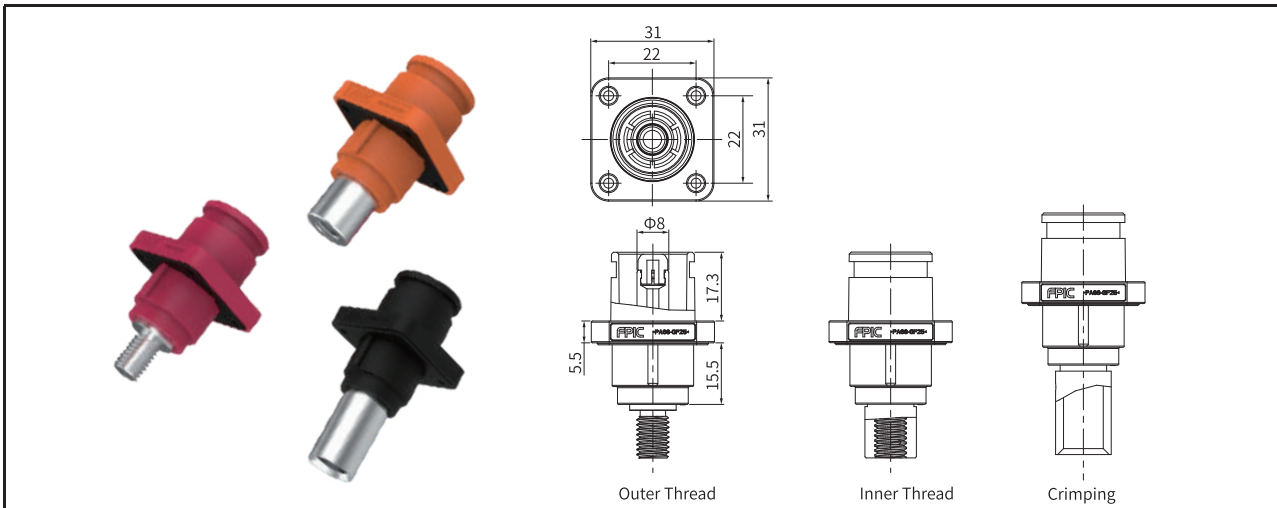
# 200A Receptacle

Energy Storage Connectors



Product Information		Product Parameter	
*Housing Material	PA66+GF25	Rated Current	200A
*Connection Type	Thread/Through Hole	Rated Voltage	1000V DC
*Palm Rejection	IP2XB	Voltage Resistance	3000V AC
*Installation Location	Front Installation	Insulation Resistance	1000MΩ Min
*Pin Size	8.0mm	Life Time	≥100 Cycles
*Operation Temperature	-40°C~125°C	IP Level	IP67

Part No.	Connection Type	Rated Current	Color
A081-2M08-D008F-0A	Copper Bar Inner Thread	200A	Black
A081-2M08-D008F-5A			Red
A081-2M08-D008F-6A			Orange
A081-2M08-E008F-0A	Copper Bar Through Hole		Black
A081-2M08-E008F-5A			Red
A081-2M08-E008F-6A			Orange

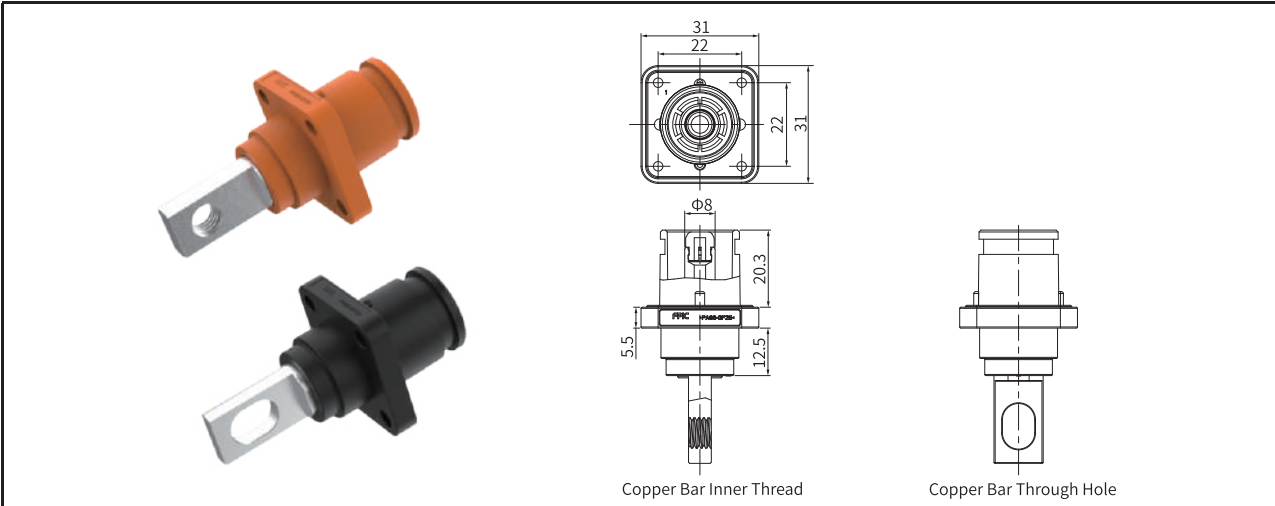


Product Information		Product Parameter	
*Housing Material	PA66+GF25	Rated Current	200A
*Connection Type	Thread/Crimping	Rated Voltage	1000V DC
*Palm Rejection	IP2XB	Voltage Resistance	3000V AC
*Installation Location	Front Installation	Insulation Resistance	1000MΩ Min
*Pin Size	8.0mm	Life Time	≥100 Cycles
*Operation Temperature	-40°C~125°C	IP Level	IP67

Part No.	Connection Type	Rated Current	Color
A081-2M08-A008F-0A	Inner Thread	200A	Black
A081-2M08-A008F-5A			Red
A081-2M08-A008F-6A			Orange
A081-2M08-B008F-0A	Outer Thread		Black
A081-2M08-B008F-5A			Red
A081-2M08-B008F-6A			Orange
A081-2M08-C050F-0A	Crimping		Black
A081-2M08-C050F-5A			Red
A081-2M08-C050F-6A			Orange

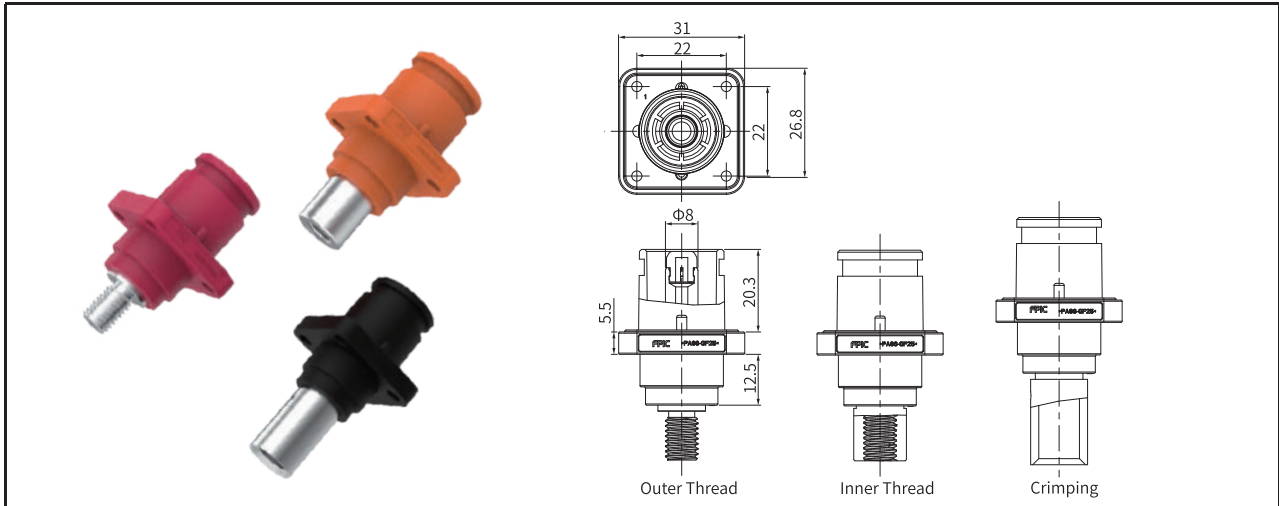
# 200A Receptacle

Energy Storage Connectors



Product Information		Product Parameter	
*Housing Material	PA66+GF25	Rated Current	200A
*Connection Type	Thread/Through Hole	Rated Voltage	1000V DC
*Palm Rejection	IP2XB	Voltage Resistance	3000V AC
*Installation Location	Back Installation	Insulation Resistance	1000MΩ Min
*Pin Size	8.0mm	Life Time	≥100 Cycles
*Operation Temperature	-40°C~125°C	IP Level	IP67

Part No.	Connection Type	Rated Current	Color
A081-2M08-D008B-0A	Copper Bar Inner Thread	200A	Black
A081-2M08-D008B-5A			Red
A081-2M08-D008B-6A			Orange
A081-2M08-E008B-0A	Copper Bar Through Hole		Black
A081-2M08-E008B-5A			Red
A081-2M08-E008B-6A			Orange

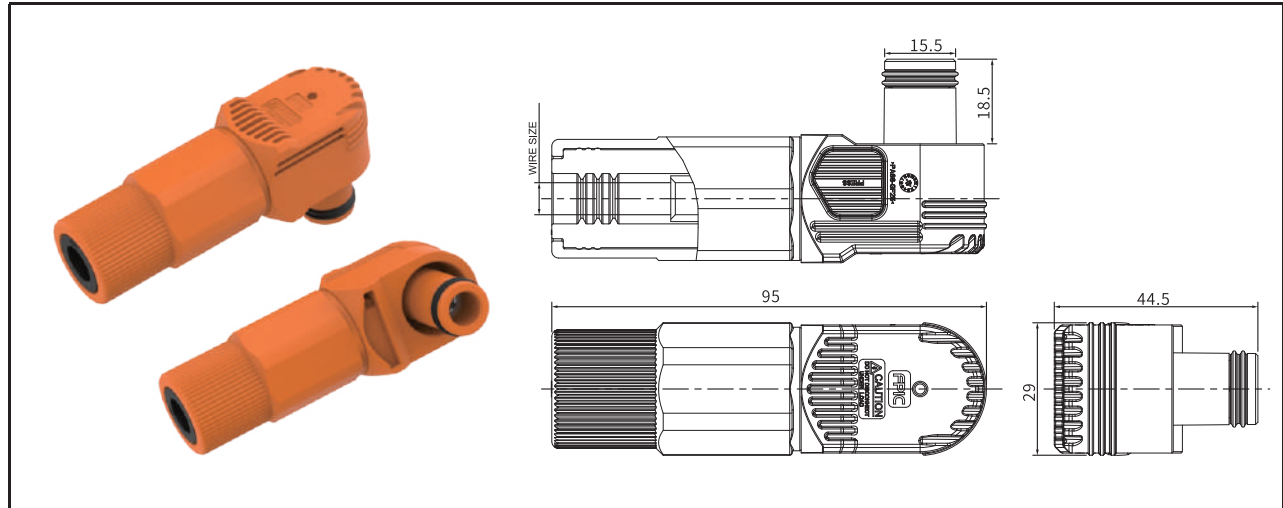


Product Information		Product Parameter	
*Housing Material	PA66+GF25	Rated Current	200A
*Connection Type	Thread/Crimping	Rated Voltage	1000V DC
*Palm Rejection	IP2XB	Voltage Resistance	3000V AC
*Installation Location	Back Installation	Insulation Resistance	1000MΩ Min
*Pin Size	8.0mm	Life Time	≥100 Cycles
*Operation Temperature	-40°C~125°C	IP Level	IP67

Part No.	Connection Type	Rated Current	Color
A081-2M08-A008B-0A	Inner Thread	200A	Black
A081-2M08-A008B-5A			Red
A081-2M08-A008B-6A			Orange
A081-2M08-B008B-0A	Outer Thread		Black
A081-2M08-B008B-5A			Red
A081-2M08-B008B-6A			Orange
A081-2M08-C050B-0A	Crimping		Black
A081-2M08-C050B-5A			Red
A081-2M08-C050B-6A			Orange



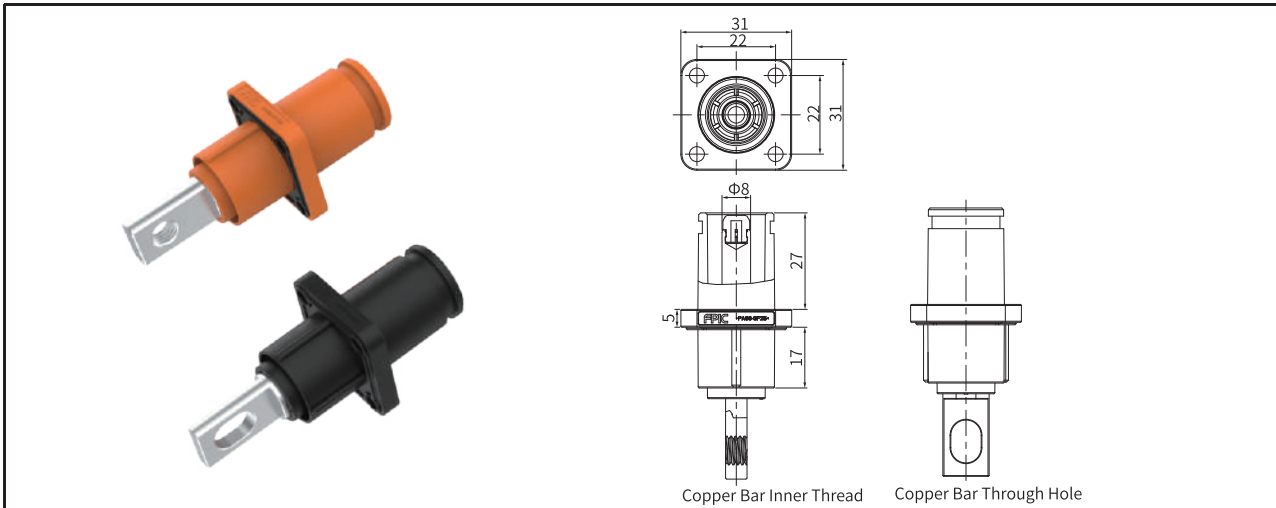
# 1500V / 120A~200A Plug



Product Information		Product Parameter	
*Housing Material	PA66+GF25	Rated Current	120A~200A
*Unlocking Method	Hand Unlocking	Rated Voltage	1500V DC
*Palm Rejection	IP2XB	Voltage Resistance	4000V AC
*Wire Size	25mm <sup>2</sup> ~50mm <sup>2</sup>	Insulation Resistance	1000MΩ Min
*Pin Size	8.0mm	Life Time	≥100 Cycles
*Operation Temperature	-40°C~125°C	IP Level	IP67

Part No.	Wire Size	Rated Current	Color
A083-1F08-C025N-0A	25mm <sup>2</sup>	120A	Black
A083-1F08-C025N-5A			Red
A083-1F08-C025N-6A			Orange
A083-1F08-C035N-0A	35mm <sup>2</sup>	150A	Black
A083-1F08-C035N-5A			Red
A083-1F08-C035N-6A			Orange
A083-1F08-C050N-0A	50mm <sup>2</sup>	200A	Black
A083-1F08-C050N-5A			Red
A083-1F08-C050N-6A			Orange

Energy Storage Connectors

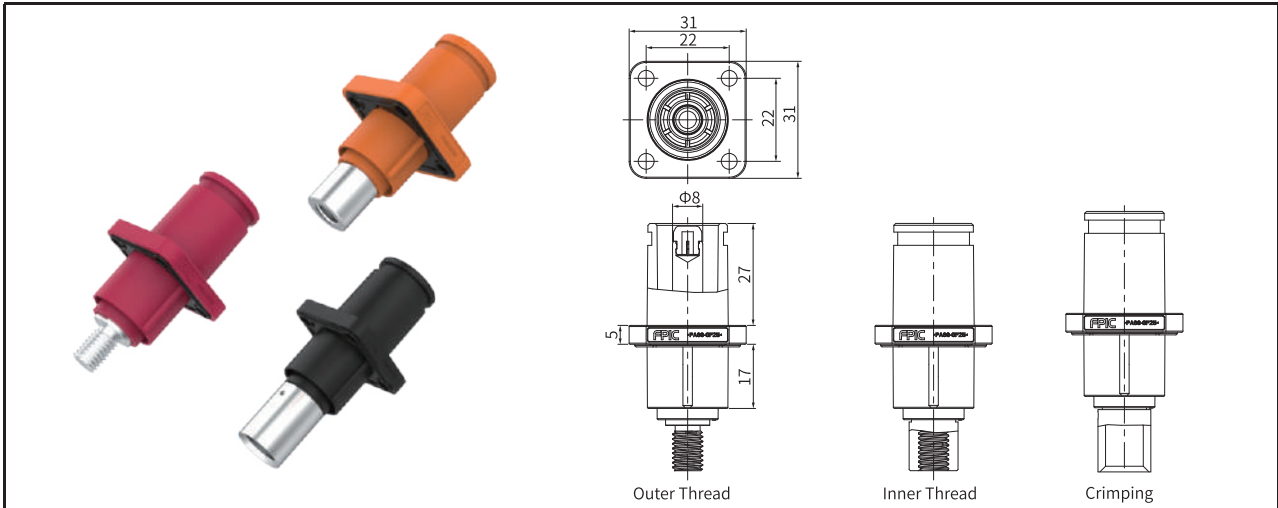


Product Information		Product Parameter	
*Housing Material	PA66+GF25	Rated Current	200A
*Connection Type	Thread/Through Hole	Rated Voltage	1500V DC
*Palm Rejection	IP2XB	Voltage Resistance	4000V AC
*Installation Location	Front Installation	Insulation Resistance	1000MΩ Min
*Pin Size	8.0mm	Life Time	≥100 Cycles
*Operation Temperature	-40°C~125°C	IP Level	IP67

Part No.	Connection Type	Rated Current	Color
A083-2M08-D008F-0A	Copper Bar Inner Thread	200A	Black
A083-2M08-D008F-5A			Red
A083-2M08-D008F-6A			Orange
A083-2M08-E008F-0A	Copper Bar Through Hole		Black
A083-2M08-E008F-5A			Red
A083-2M08-E008F-6A			Orange

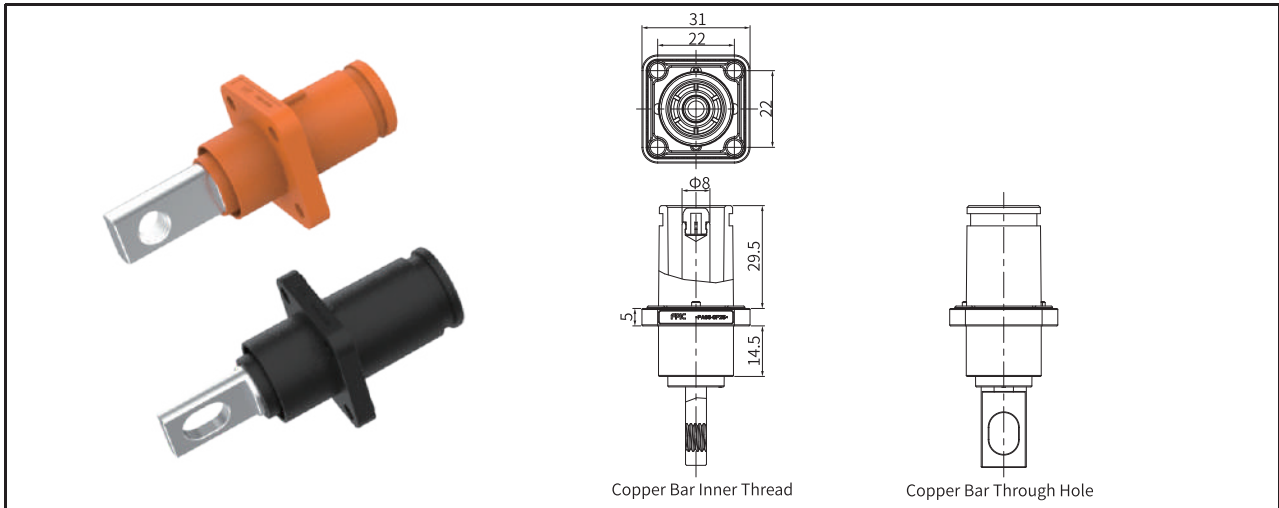
# 200A Receptacle

Energy Storage Connectors



Product Information		Product Parameter	
*Housing Material	PA66+GF25	Rated Current	200A
*Connection Type	Thread/Crimping	Rated Voltage	1500V DC
*Palm Rejection	IP2XB	Voltage Resistance	4000V AC
*Installation Location	Front Installation	Insulation Resistance	1000MΩ Min
*Pin Size	8.0mm	Life Time	≥100 Cycles
*Operation Temperature	-40°C~125°C	IP Level	IP67

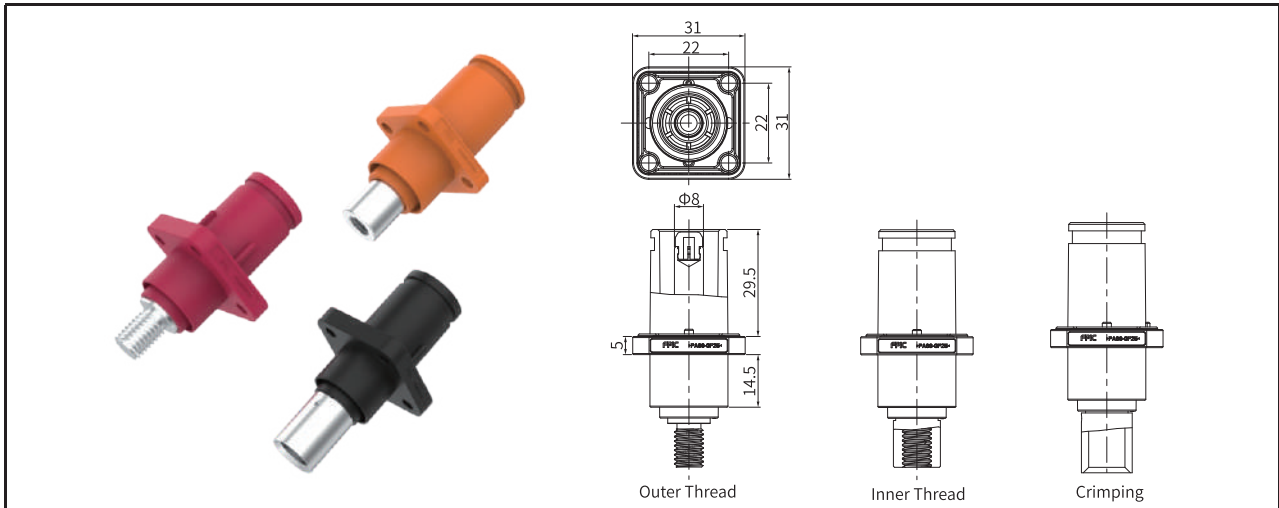
Part No.	Connection Type	Rated Current	Color
A083-2M08-A008F-0A	Inner Thread	200A	Black
A083-2M08-A008F-5A			Red
A083-2M08-A008F-6A			Orange
A083-2M08-B008F-0A	Outer Thread		Black
A083-2M08-B008F-5A			Red
A083-2M08-B008F-6A			Orange
A083-2M08-C050F-0A	Crimping		Black
A083-2M08-C050F-5A			Red
A083-2M08-C050F-6A			Orange



Product Information		Product Parameter	
*Housing Material	PA66+GF25	Rated Current	200A
*Connection Type	Thread/Through Hole	Rated Voltage	1500V DC
*Palm Rejection	IP2XB	Voltage Resistance	4000V AC
*Installation Location	Back Installation	Insulation Resistance	1000MΩ Min
*Pin Size	8.0mm	Life Time	≥100 Cycles
*Operation Temperature	-40°C~125°C	IP Level	IP67

Part No.	Connection Type	Rated Current	Color
A083-2M08-D008B-0A	Copper Bar Inner Thread	200A	Black
A083-2M08-D008B-5A			Red
A083-2M08-D008B-6A			Orange
A083-2M08-E008B-0A	Copper Bar Through Hole		Black
A083-2M08-E008B-5A			Red
A083-2M08-E008B-6A			Orange

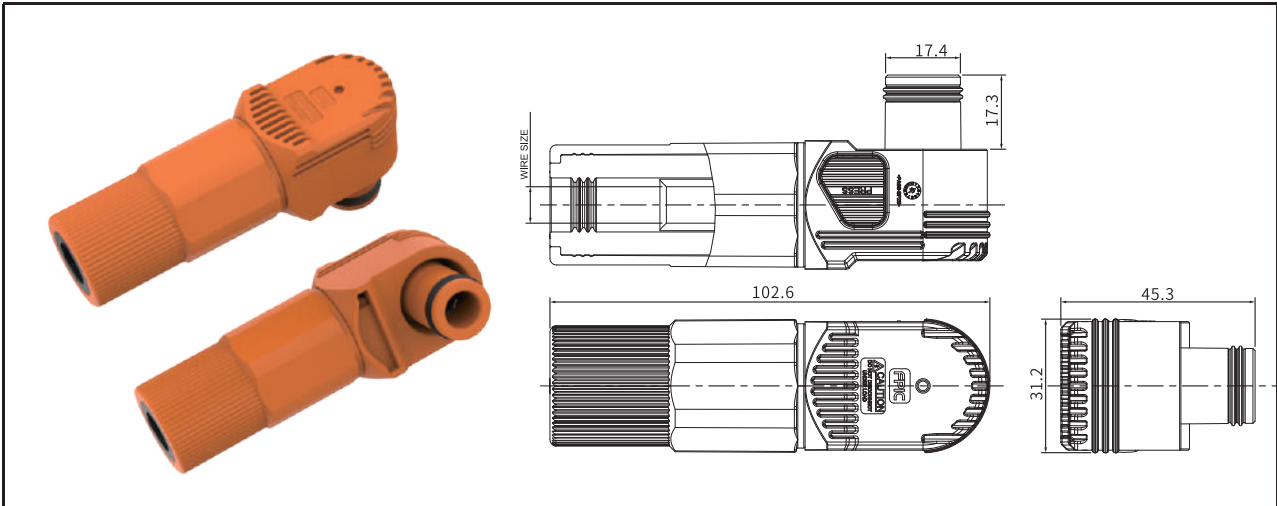
# 200A Receptacle



Product Information		Product Parameter	
*Housing Material	PA66+GF25	Rated Current	200A
*Connection Type	Thread/Crimping	Rated Voltage	1500V DC
*Palm Rejection	IP2XB	Voltage Resistance	4000V AC
*Installation Location	Back Installation	Insulation Resistance	1000MΩ Min
*Pin Size	8.0mm	Life Time	≥100 Cycles
*Operation Temperature	-40°C~125°C	IP Level	IP67

Part No.	Connection Type	Rated Current	Color
A083-2M08-A008B-0A	Inner Thread	200A	Black
A083-2M08-A008B-5A			Red
A083-2M08-A008B-6A			Orange
A083-2M08-B008B-0A	Outer Thread		Black
A083-2M08-B008B-5A			Red
A083-2M08-B008B-6A			Orange
A083-2M08-C050B-0A	Crimping		Black
A083-2M08-C050B-5A			Red
A083-2M08-C050B-6A			Orange

Energy Storage Connectors

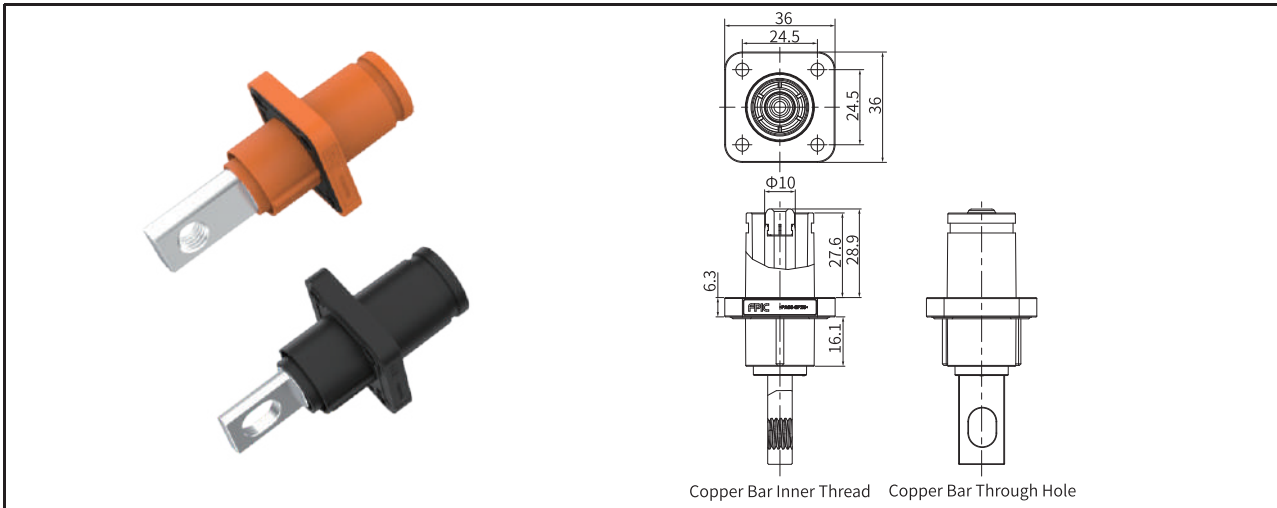


Product Information		Product Parameter	
*Housing Material	PA66+GF25	Rated Current	150A~250A
*Unlocking Method	Hand Unlocking	Rated Voltage	1500V DC
*Palm Rejection	IP2XB	Voltage Resistance	4000V AC
*Wire Size	35mm <sup>2</sup> ~70mm <sup>2</sup>	Insulation Resistance	1000MΩ Min
*Pin Size	10.0mm	Life Time	≥100 Cycles
*Operation Temperature	-40°C~125°C	IP Level	IP67

Part No.	Wire Size	Rated Current	Color
A083-1F10-C035N-0A	35mm <sup>2</sup>	150A	Black
A083-1F10-C035N-5A			Red
A083-1F10-C035N-6A			Orange
A083-1F10-C050N-0A	50mm <sup>2</sup>	200A	Black
A083-1F10-C050N-5A			Red
A083-1F10-C050N-6A			Orange
A083-1F10-C070N-0A	70mm <sup>2</sup>	250A	Black
A083-1F10-C070N-5A			Red
A083-1F10-C070N-6A			Orange

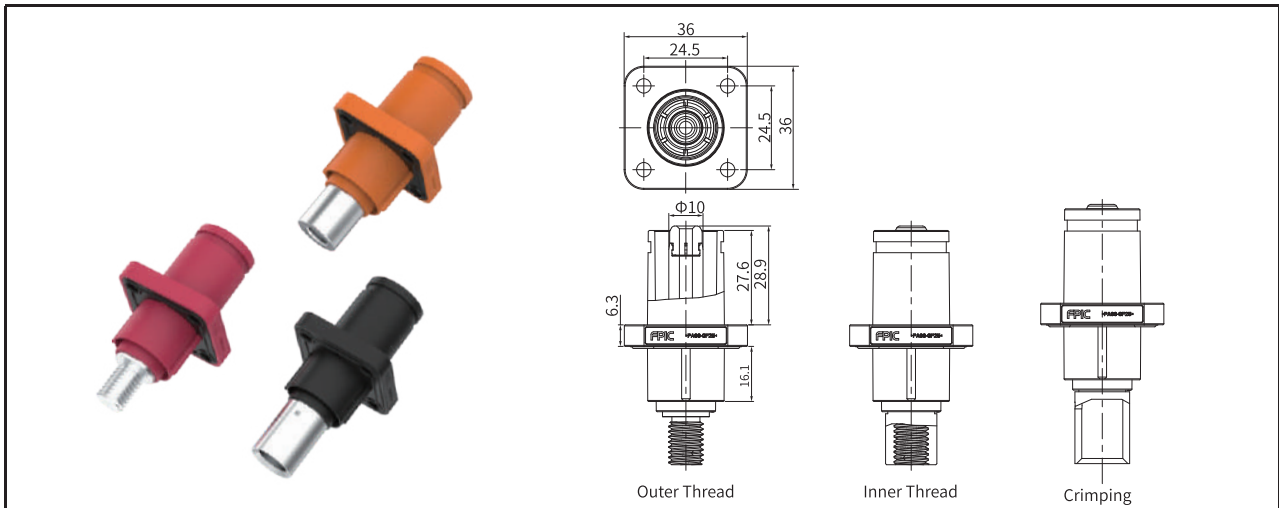
# 250A Receptacle

Energy Storage Connectors



Product Information		Product Parameter	
*Housing Material	PA66+GF25	Rated Current	250A
*Connection Type	Thread/Through Hole	Rated Voltage	1500V DC
*Palm Rejection	IP2XB	Voltage Resistance	4000V AC
*Installation Location	Front Installation	Insulation Resistance	1000MΩ Min
*Pin Size	10.0mm	Life Time	≥100 Cycles
*Operation Temperature	-40°C~125°C	IP Level	IP67

Part No.	Connection Type	Rated Current	Color
A083-2M10-D010F-0A	Copper Bar Inner Thread	250A	Black
A083-2M10-D010F-5A			Red
A083-2M10-D010F-6A			Orange
A083-2M10-E010F-0A	Copper Bar Through Hole		Black
A083-2M10-E010F-5A			Red
A083-2M10-E010F-6A			Orange

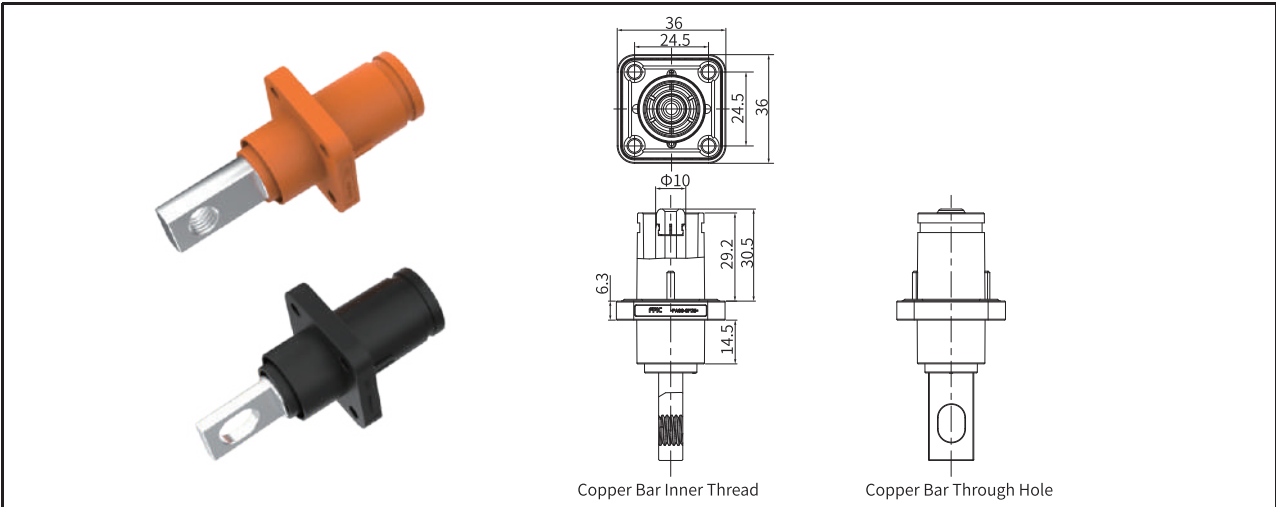


Product Information		Product Parameter	
*Housing Material	PA66+GF25	Rated Current	250A
*Connection Type	Thread/Crimping	Rated Voltage	1500V DC
*Palm Rejection	IP2XB	Voltage Resistance	4000V AC
*Installation Location	Front Installation	Insulation Resistance	1000MΩ Min
*Pin Size	10.0mm	Life Time	≥100 Cycles
*Operation Temperature	-40°C~125°C	IP Level	IP67

Part No.	Connection Type	Rated Current	Color
A083-2M10-A010F-0A	Inner Thread	250A	Black
A083-2M10-A010F-5A			Red
A083-2M10-A010F-6A			Orange
A083-2M10-B010F-0A	Outer Thread		Black
A083-2M10-B010F-5A			Red
A083-2M10-B010F-6A			Orange
A083-2M10-C070F-0A	Crimping		Black
A083-2M10-C070F-5A			Red
A083-2M10-C070F-6A			Orange

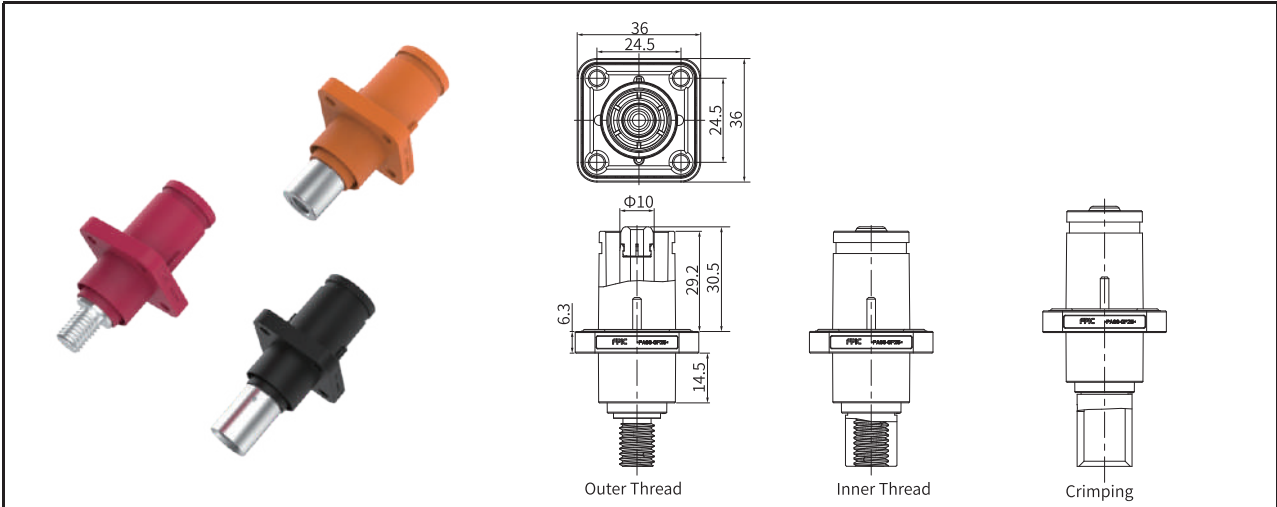


# 250A Receptacle



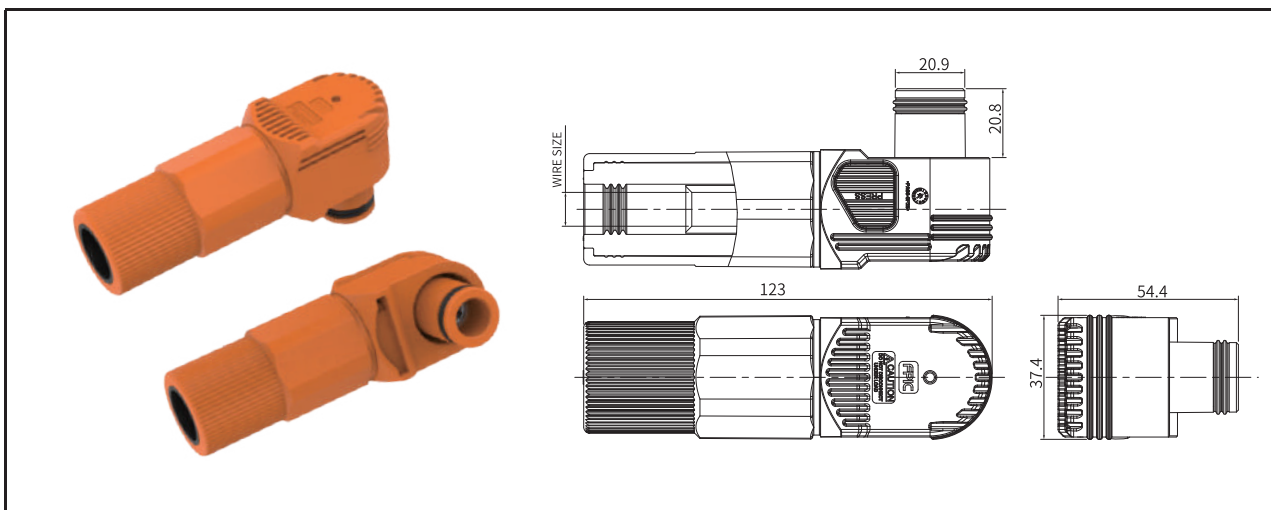
Product Information		Product Parameter	
*Housing Material	PA66+GF25	Rated Current	250A
*Connection Type	Thread/Through Hole	Rated Voltage	1500V DC
*Palm Rejection	IP2XB	Voltage Resistance	4000V AC
*Installation Location	Back Installation	Insulation Resistance	1000MΩ Min
*Pin Size	10.0mm	Life Time	≥100 Cycles
*Operation Temperature	-40°C~125°C	IP Level	IP67

Part No.	Connection Type	Rated Current	Color
A083-2M10-D010B-0A	Copper Bar Inner Thread	250A	Black
A083-2M10-D010B-5A			Red
A083-2M10-D010B-6A			Orange
A083-2M10-E010B-0A	Copper Bar Through Hole		Black
A083-2M10-E010B-5A			Red
A083-2M10-E010B-6A			Orange



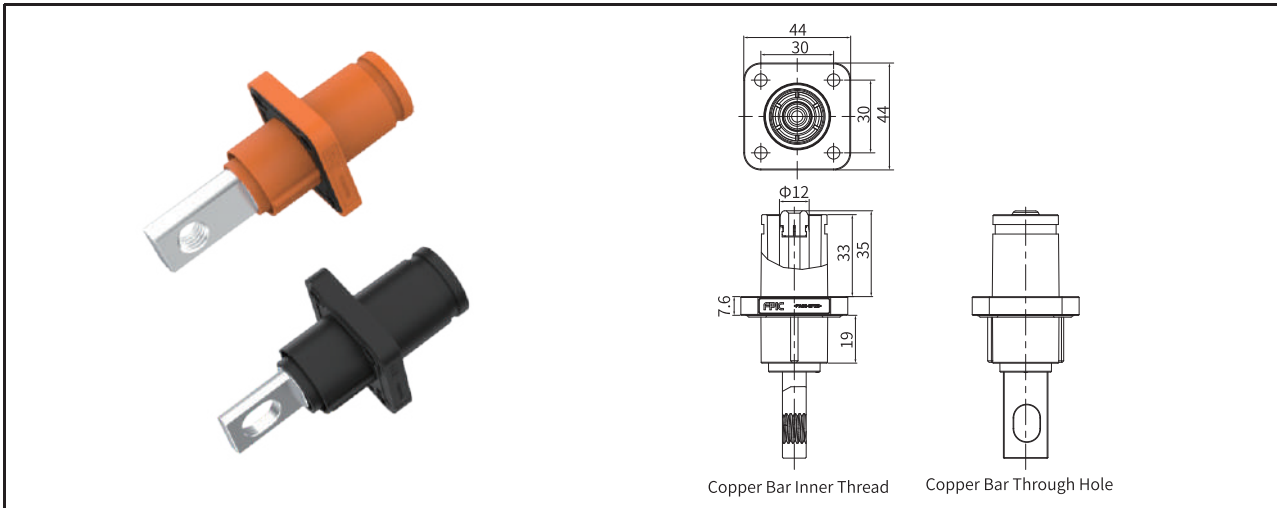
Product Information		Product Parameter	
*Housing Material	PA66+GF25	Rated Current	250A
*Connection Type	Thread/Crimping	Rated Voltage	1500V DC
*Palm Rejection	IP2XB	Voltage Resistance	4000V AC
*Installation Location	Back Installation	Insulation Resistance	1000MΩ Min
*Pin Size	10.0mm	Life Time	≥100 Cycles
*Operation Temperature	-40°C~125°C	IP Level	IP67

Part No.	Connection Type	Rated Current	Color
A083-2M10-A010B-0A	Inner Thread	250A	Black
A083-2M10-A010B-5A			Red
A083-2M10-A010B-6A			Orange
A083-2M10-B010B-0A	Outer Thread		Black
A083-2M10-B010B-5A			Red
A083-2M10-B010B-6A			Orange
A083-2M10-C070B-0A	Crimping		Black
A083-2M10-C070B-5A			Red
A083-2M10-C070B-6A			Orange



Product Information		Product Parameter	
*Housing Material	PA66+GF25	Rated Current	300A
*Unlocking Method	Hand Unlocking	Rated Voltage	1500V DC
*Palm Rejection	IP2XB	Voltage Resistance	4000V AC
*Wire Size	95mm <sup>2</sup>	Insulation Resistance	1000MΩ Min
*Pin Size	12.0mm	Life Time	≥100 Cycles
*Operation Temperature	-40°C~125°C	IP Level	IP67

Part No.	Wire Size	Rated Current	Color
A083-1F12-C095N-0A	95mm <sup>2</sup>	300A	Black
A083-1F12-C095N-5A			Red
A083-1F12-C095N-6A			Orange

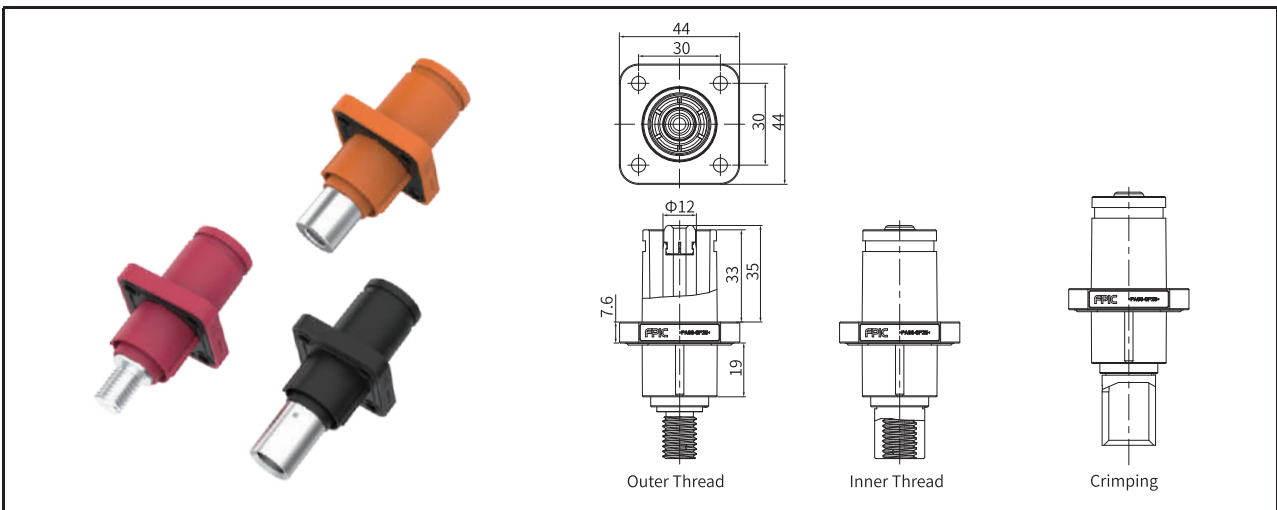


Product Information		Product Parameter	
*Housing Material	PA66+GF25	Rated Current	300A
*Connection Type	Thread/Through Hole	Rated Voltage	1500V DC
*Palm Rejection	IP2XB	Voltage Resistance	4000V AC
*Installation Location	Front Installation	Insulation Resistance	1000MΩ Min
*Pin Size	12.0mm	Life Time	≥100 Cycles
*Operation Temperature	-40°C~125°C	IP Level	IP67

Part No.	Connection Type	Rated Current	Color
A083-2M12-D010F-0A	Copper Bar Inner Thread	300A	Black
A083-2M12-D010F-5A			Red
A083-2M12-D010F-6A			Orange
A083-2M12-E010F-0A	Copper Bar Through Hole		Black
A083-2M12-E010F-5A			Red
A083-2M12-E010F-6A			Orange

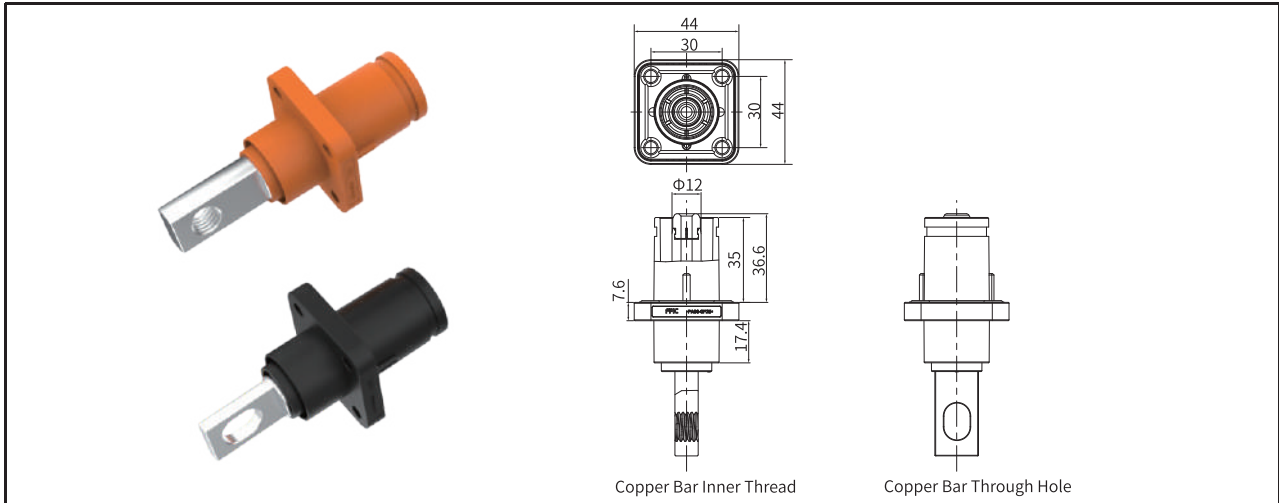
# 300A Receptacle

Energy Storage Connectors



Product Information		Product Parameter	
*Housing Material	PA66+GF25	Rated Current	300A
*Connection Type	Thread/Crimping	Rated Voltage	1500V DC
*Palm Rejection	IP2XB	Voltage Resistance	4000V AC
*Installation Location	Front Installation	Insulation Resistance	1000MΩ Min
*Pin Size	12.0mm	Life Time	≥100 Cycles
*Operation Temperature	-40°C~125°C	IP Level	IP67

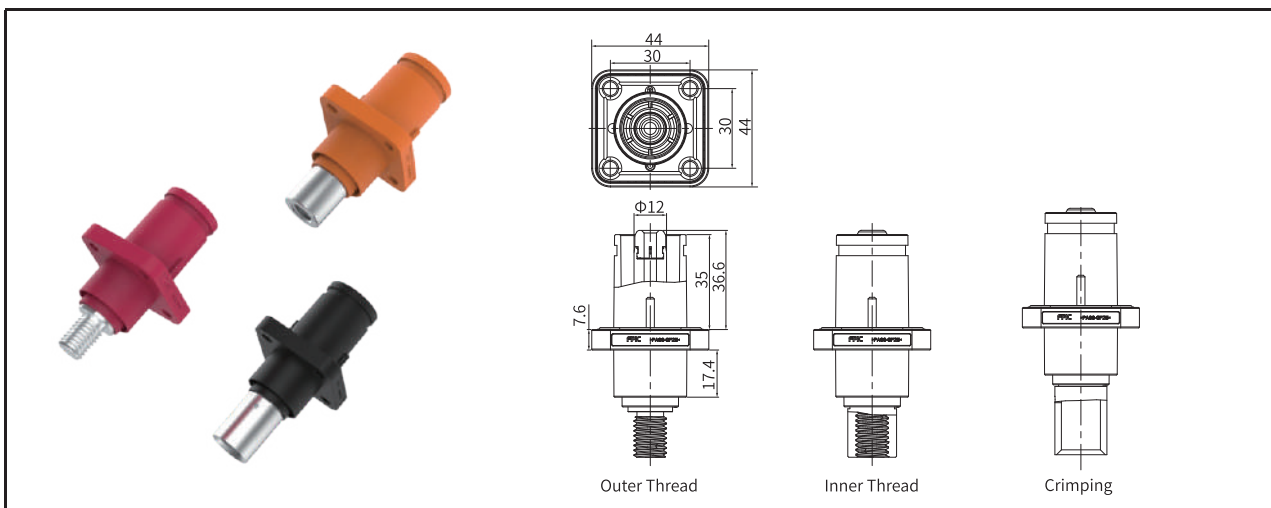
Part No.	Connection Type	Rated Current	Color
A083-2M12-A010F-0A	Inner Thread	300A	Black
A083-2M12-A010F-5A			Red
A083-2M12-A010F-6A			Orange
A083-2M12-B010F-0A	Outer Thread		Black
A083-2M12-B010F-5A			Red
A083-2M12-B010F-6A			Orange
A083-2M12-C095F-0A	Crimping		Black
A083-2M12-C095F-5A			Red
A083-2M12-C095F-6A			Orange



Product Information		Product Parameter	
*Housing Material	PA66+GF25	Rated Current	300A
*Connection Type	Thread/Through Hole	Rated Voltage	1500V DC
*Palm Rejection	IP2XB	Voltage Resistance	4000V AC
*Installation Location	Back Installation	Insulation Resistance	1000MΩ Min
*Pin Size	12.0mm	Life Time	≥100 Cycles
*Operation Temperature	-40°C~125°C	IP Level	IP67

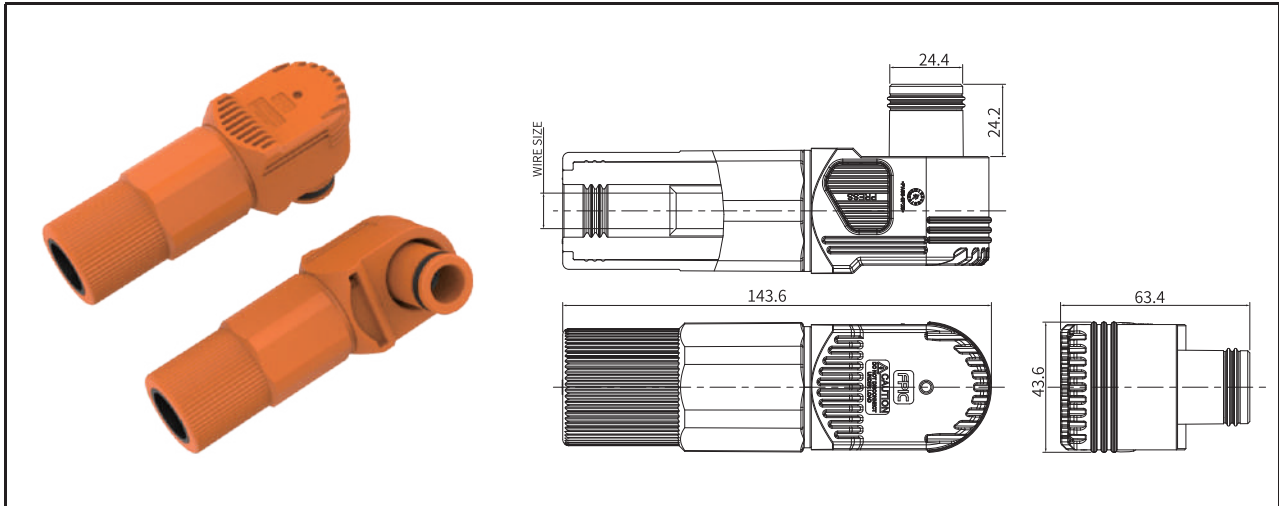
Part No.	Connection Type	Rated Current	Color
A083-2M12-D010B-0A	Copper Bar Inner Thread	300A	Black
A083-2M12-D010B-5A			Red
A083-2M12-D010B-6A			Orange
A083-2M12-E010B-0A	Copper Bar Through Hole		Black
A083-2M12-E010B-5A			Red
A083-2M12-E010B-6A			Orange

# 300A Receptacle



Product Information		Product Parameter	
*Housing Material	PA66+GF25	Rated Current	300A
*Connection Type	Thread/Crimping	Rated Voltage	1500V DC
*Palm Rejection	IP2XB	Voltage Resistance	4000V AC
*Installation Location	Back Installation	Insulation Resistance	1000MΩ Min
*Pin Size	12.0mm	Life Time	≥100 Cycles
*Operation Temperature	-40°C~125°C	IP Level	IP67

Part No.	Connection Type	Rated Current	Color
A083-2M12-A010B-0A	Inner Thread	300A	Black
A083-2M12-A010B-5A			Red
A083-2M12-A010B-6A			Orange
A083-2M12-B010B-0A	Outer Thread		Black
A083-2M12-B010B-5A			Red
A083-2M12-B010B-6A			Orange
A083-2M12-C095B-0A	Crimping		Black
A083-2M12-C095B-5A			Red
A083-2M12-C095B-6A			Orange

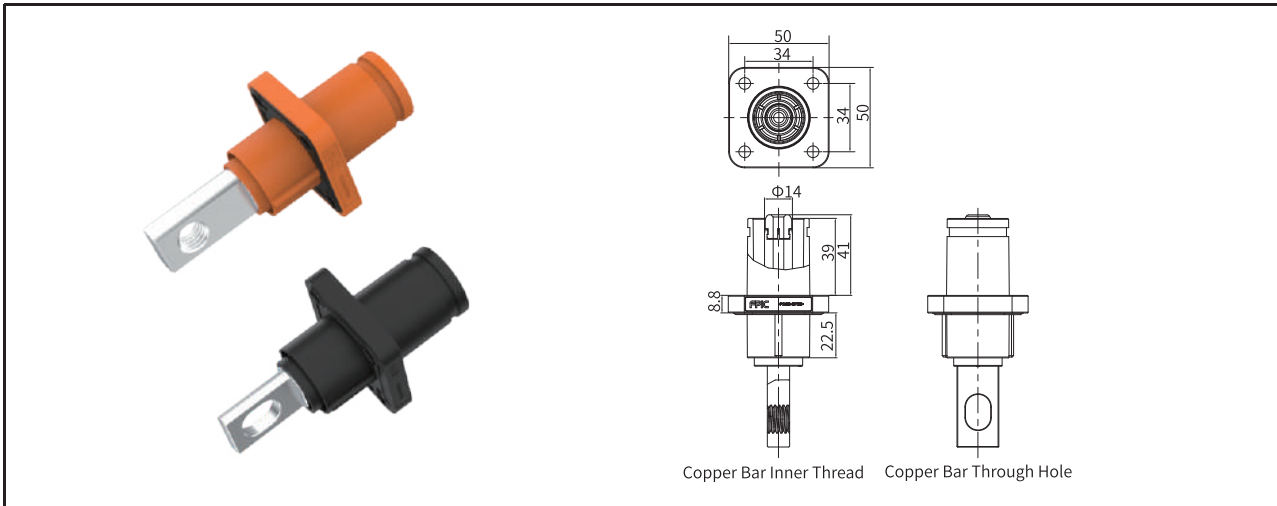


Product Information		Product Parameter	
*Housing Material	PA66+GF25	Rated Current	400A~500A
*Unlocking Method	Hand Unlocking	Rated Voltage	1500V DC
*Palm Rejection	IP2XB	Voltage Resistance	4000V AC
*Wire Size	120mm <sup>2</sup> ~150mm <sup>2</sup>	Insulation Resistance	1000MΩ Min
*Pin Size	14.0mm	Life Time	≥100 Cycles
*Operation Temperature	-40°C~125°C	IP Level	IP67

Part No.	Wire Size	Rated Current	Color
A083-1F14-C120N-0A	120mm <sup>2</sup>	400A	Black
A083-1F14-C120N-5A			Red
A083-1F14-C120N-6A			Orange
A083-1F14-C150N-0A	150mm <sup>2</sup>	500A	Black
A083-1F14-C150N-5A			Red
A083-1F14-C150N-6A			Orange

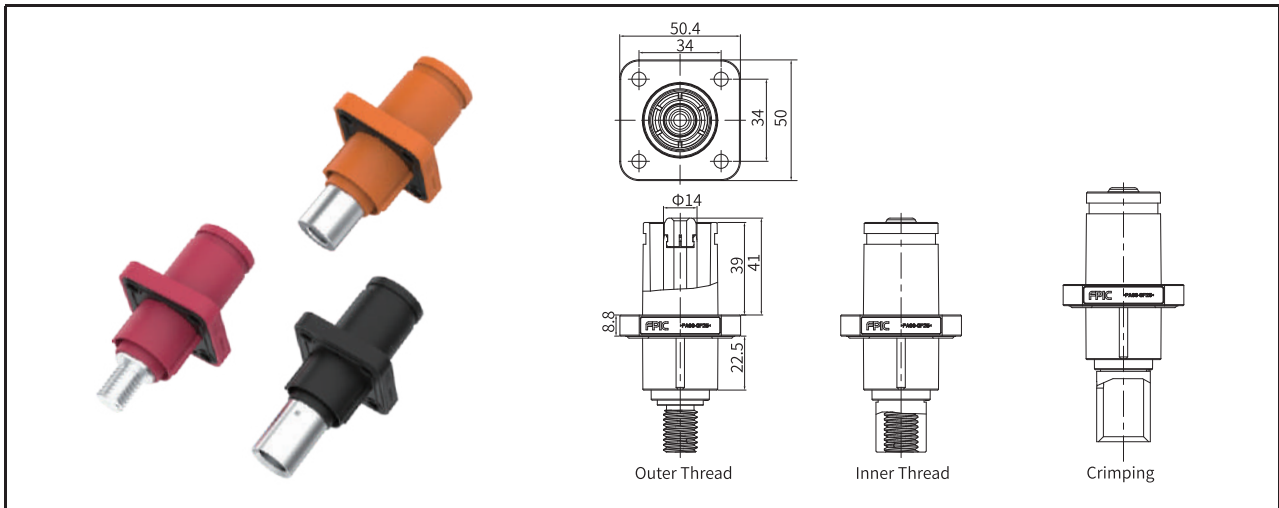


# 500A Receptacle



Product Information		Product Parameter	
*Housing Material	PA66+GF25	Rated Current	500A
*Connection Type	Thread/Through Hole	Rated Voltage	1500V DC
*Palm Rejection	IP2XB	Voltage Resistance	4000V AC
*Installation Location	Front Installation	Insulation Resistance	1000MΩ Min
*Pin Size	14.0mm	Life Time	≥100 Cycles
*Operation Temperature	-40°C~125°C	IP Level	IP67

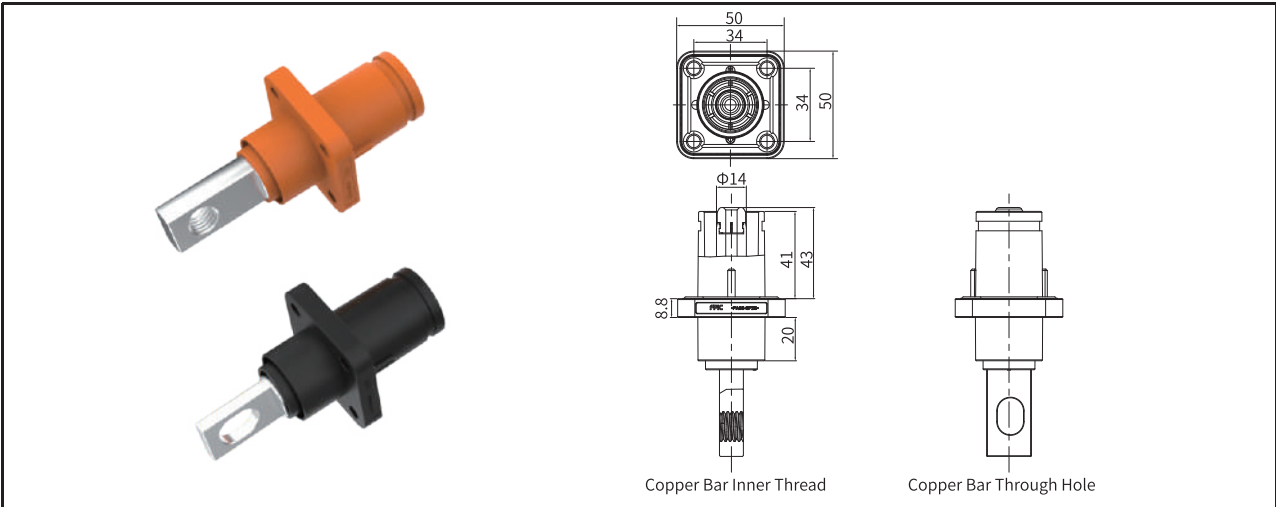
Part No.	Connection Type	Rated Current	Color
A083-2M14-D012F-0A	Copper Bar Inner Thread	500A	Black
A083-2M14-D012F-5A			Red
A083-2M14-D012F-6A			Orange
A083-2M14-E012F-0A	Copper Bar Through Hole		Black
A083-2M14-E012F-5A			Red
A083-2M14-E012F-6A			Orange



Product Information		Product Parameter	
*Housing Material	PA66+GF25	Rated Current	500A
*Connection Type	Thread/Crimping	Rated Voltage	1500V DC
*Palm Rejection	IP2XB	Voltage Resistance	4000V AC
*Installation Location	Front Installation	Insulation Resistance	1000MΩ Min
*Pin Size	14.0mm	Life Time	≥100 Cycles
*Operation Temperature	-40°C~125°C	IP Level	IP67

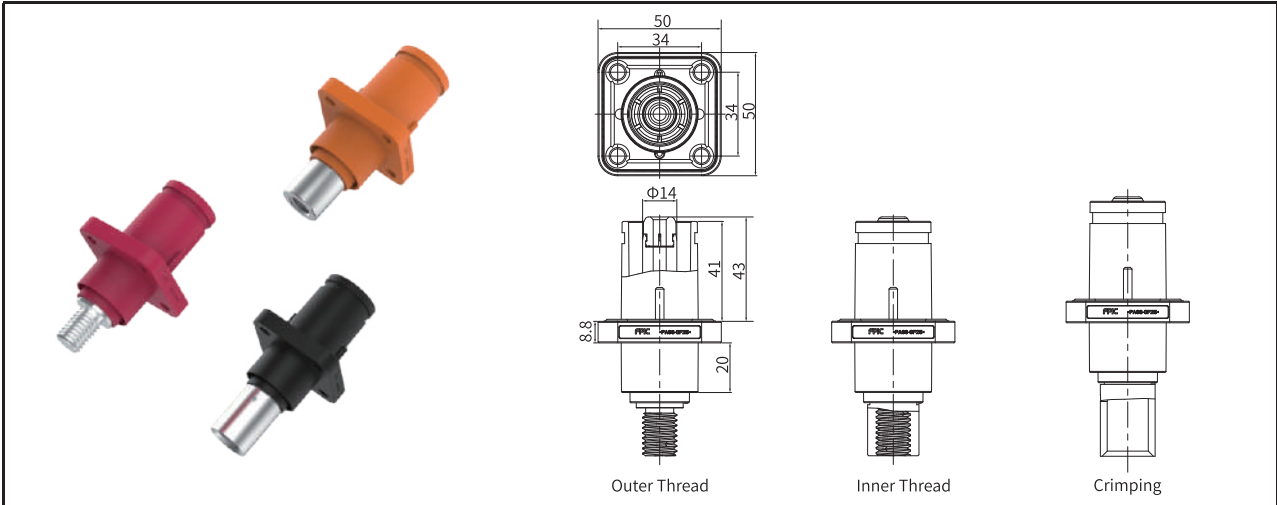
Part No.	Connection Type	Rated Current	Color
A083-2M14-A012F-0A	Inner Thread	500A	Black
A083-2M14-A012F-5A			Red
A083-2M14-A012F-6A			Orange
A083-2M14-B012F-0A	Outer Thread		Black
A083-2M14-B012F-5A			Red
A083-2M14-B012F-6A			Orange
A083-2M14-C150F-0A	Crimping		Black
A083-2M14-C150F-5A			Red
A083-2M14-C150F-6A			Orange

# 500A Receptacle



Product Information		Product Parameter	
*Housing Material	PA66+GF25	Rated Current	500A
*Connection Type	Thread/Through Hole	Rated Voltage	1500V DC
*Palm Rejection	IP2XB	Voltage Resistance	4000V AC
*Installation Location	Back Installation	Insulation Resistance	1000MΩ Min
*Pin Size	14.0mm	Life Time	≥100 Cycles
*Operation Temperature	-40°C~125°C	IP Level	IP67

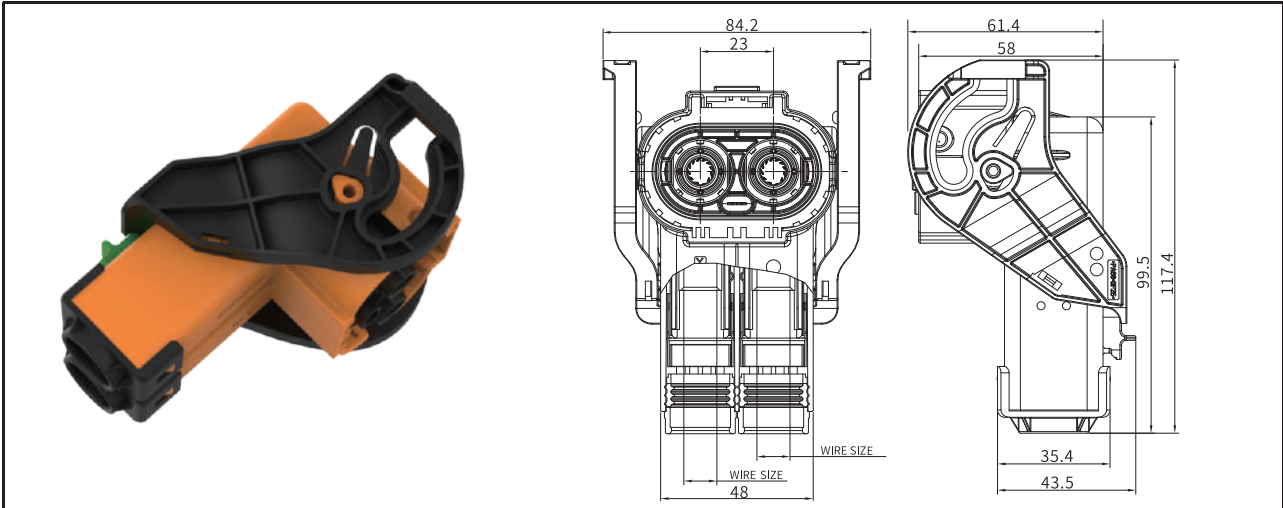
Part No.	Connection Type	Rated Current	Color
A083-2M14-D012B-0A	Copper Bar Inner Thread	500A	Black
A083-2M14-D012B-5A			Red
A083-2M14-D012B-6A			Orange
A083-2M14-E012B-0A	Copper Bar Through Hole		Black
A083-2M14-E012B-5A			Red
A083-2M14-E012B-6A			Orange



Product Information		Product Parameter	
*Housing Material	PA66+GF25	Rated Current	500A
*Connection Type	Thread/Crimping	Rated Voltage	1500V DC
*Palm Rejection	IP2XB	Voltage Resistance	4000V AC
*Installation Location	Back Installation	Insulation Resistance	1000MΩ Min
*Pin Size	14.0mm	Life Time	≥100 Cycles
*Operation Temperature	-40°C~125°C	IP Level	IP67

Part No.	Connection Type	Rated Current	Color
A083-2M14-A012B-0A	Inner Thread	500A	Black
A083-2M14-A012B-5A			Red
A083-2M14-A012B-6A			Orange
A083-2M14-B012B-0A	Outer Thread		Black
A083-2M14-B012B-5A			Red
A083-2M14-B012B-6A			Orange
A083-2M14-C150B-0A	Crimping		Black
A083-2M14-C150B-5A			Red
A083-2M14-C150B-6A			Orange

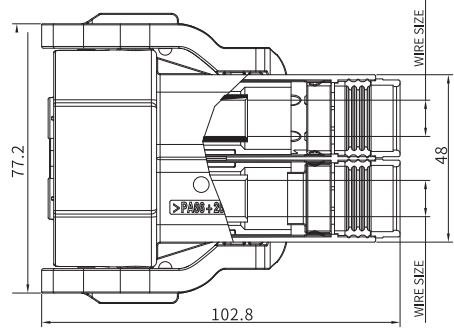
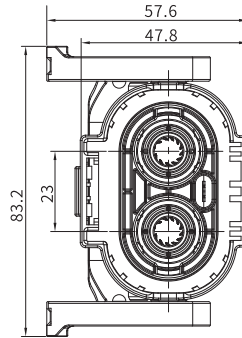
# 800V / Electric Vehicle High Voltage Connectors



Product Information		Product Parameter	
*Housing Material	PA66+GF25	Rated Current	120A~200A
*Unlocking Method	2 Times Unlocking	Rated Voltage	800V DC
*Palm Rejection	IP2XB	Voltage Resistance	3500V AC
*Wire Size	25 mm <sup>2</sup> ~50 mm <sup>2</sup>	Insulation Resistance	500MΩ Min
*Pin Size	8.0mm	Life Time	≥50 Cycles
*Operation Temperature	-40C~125°C	IP Level	IP67

Part No.	Wire Size	Rated Current
A084-1F08-CO25N-6A	25mm <sup>2</sup>	120A
A084-1F08-CO35N-6A	35mm <sup>2</sup>	150A
A084-1F08-CO50N-6A	50mm <sup>2</sup>	200A

EV Connectors



### Product Information

### Product Parameter

*Housing Material	PA66+GF25	Rated Current	120A~200A
*Unlocking Method	2 Times Unlocking	Rated Voltage	800V DC
*Palm Rejection	IP2XB	Voltage Resistance	3500V AC
*Wire Size	25 mm <sup>2</sup> ~50 mm <sup>2</sup>	Insulation Resistance	500MΩ Min
*Pin Size	8.0mm	Life Time	≥50 Cycles
*Operation Temperature	-40C~125°C	IP Level	IP67

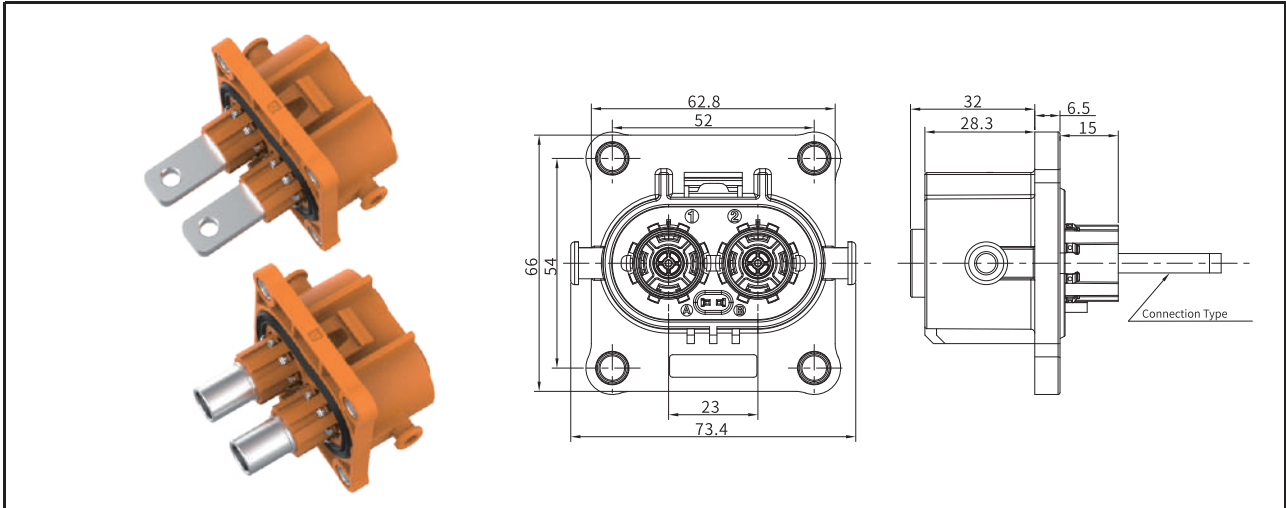
### Part No.

### Wire Size

### Rated Current

A084-1F08-CO25N-6A	25mm <sup>2</sup>	120A
A084-1F08-CO35N-6A	35mm <sup>2</sup>	150A
A084-1F08-CO50N-6A	50mm <sup>2</sup>	200A

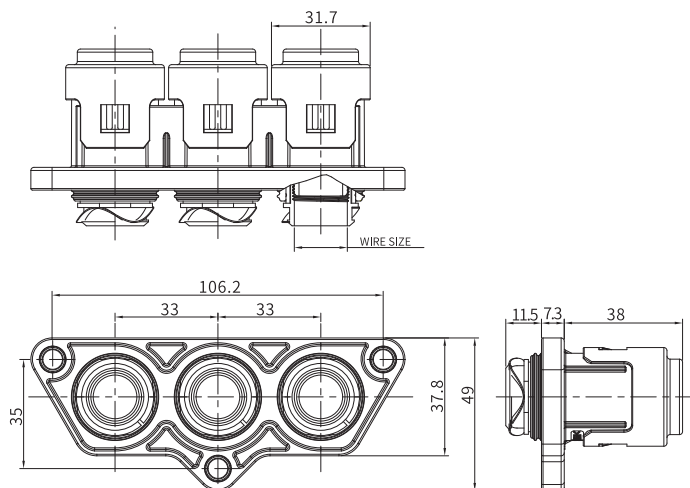
# Electric Vehicle High Voltage Receptacle



Product Information		Product Parameter	
*Housing Material	PA66+GF25	Rated Current	200A
*Connection Type	Thread/Crimping	Rated Voltage	800V DC
*Palm Rejection	IP2XB	Voltage Resistance	3500V AC
*Installation Location	Front Installation	Insulation Resistance	500MΩ Min
*Pin Size	8.0mm	Life Time	≥50 Cycles
*Operation Temperature	-40°C~125°C	IP Level	IP67

Part No.	Connection Type	Rated Current
A084-2M08-D006F-6A	Copper Bar Inner Thread	200A
A084-2M08-C050F-6A	Crimping	

EV Connectors



### Product Information

*Housing Material	PA66+GF25
*Connection Type	Through Hole
*Shielding	360°
*Wire Size	35mm <sup>2</sup> /50mm <sup>2</sup>
*Installation Location	Front Installation
*Operation Temperature	-40°C~125°C

### Product Parameter

Rated Current	150A~200A
Rated Voltage	800V DC
Voltage Resistance	3500V AC
Insulation Resistance	500MΩ Min
Life Time	≥50 Cycles
IP Level	IP67

### Part No.

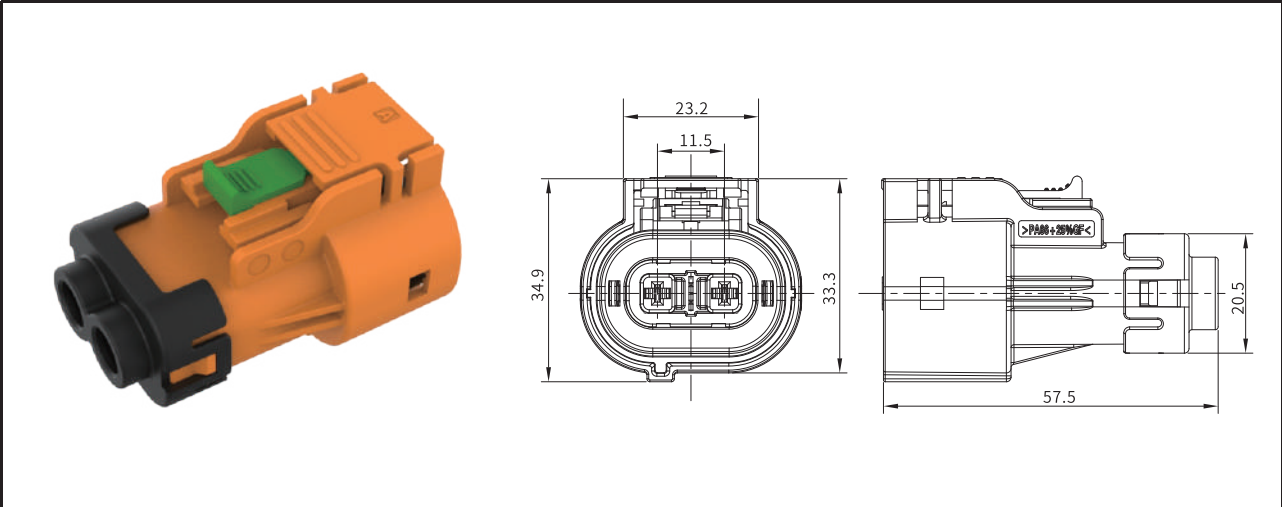
### Wire Size

### Rated Current

A085-2000-C035N-6A	35mm <sup>2</sup>	150A
A085-2000-C050N-6A	50mm <sup>2</sup>	200A



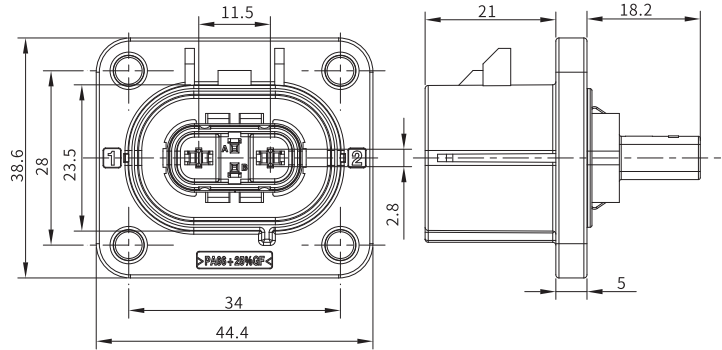
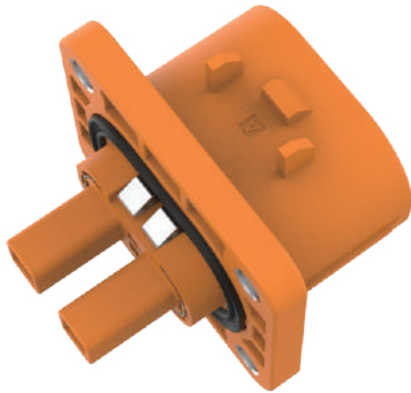
# Electric Vehicle High Voltage Straight Connectors



Product Information		Product Parameter	
*Housing Material	PA66+GF25	Rated Current	40A
*Unlocking Method	2 Times Unlocking	Rated Voltage	800V DC
*Shielding	360°	Voltage Resistance	3000V AC
*Wire Size	6mm <sup>2</sup>	Insulation Resistance	500MΩ Min
*Pin Size	2.8mm	Life Time	≥50 Cycles
*Operation Temperature	-40°C~125°C	IP Level	IP67

Part No.	Wire Size	Rated Current
A084-0F02-C006N-0A	6mm <sup>2</sup>	40A

EV Connectors



### Product Information

### Product Parameter

*Housing Material	PA66+GF25	Rated Current	40A
*Wire Size	6mm <sup>2</sup>	Rated Voltage	800V DC
*Shielding	360°	Voltage Resistance	3500V AC
*Installation Location	Front Installation	Insulation Resistance	500MΩ Min
*Pin Size	2.8mm	Life Time	≥50 Cycles
*Operation Temperature	-40°C~125°C	IP Level	IP67

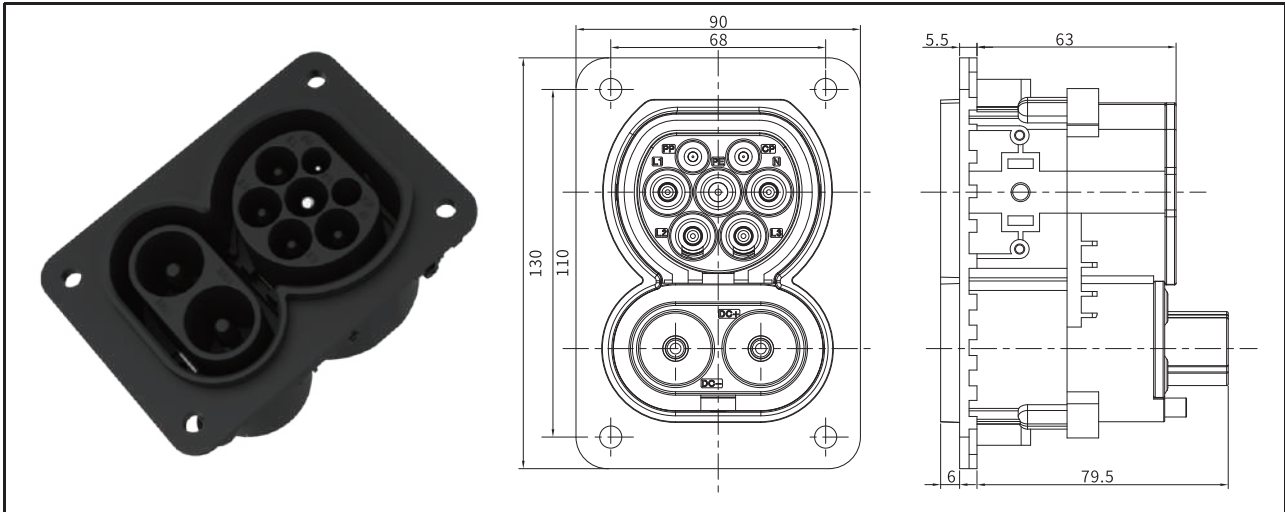
### Part No.

### Connection Type

### Rated Current

A084-2M02-C006F-0A	Crimping	40A
--------------------	----------	-----


# Electric Vehicle Charge Port




Product Information		Product Parameter	
*Housing Material	PA66+GF25	Rated Current	AC 32A/DC 200A
*Charge Type	AC Or DC	Rated Voltage	AC 250V/ DC 1000V
*Reference Standard	IEC 62196-3	Voltage Resistance	3500V AC
*Wire Size	AC 6mm <sup>2</sup> /DC 50mm <sup>2</sup>	Insulation Resistance	500MΩ Min
*Pin Size	AC 6.0mm/DC 8.0mm	Life Time	≥10000 Cycles
*Operation Temperature	-40°C~125°C	IP Level	IP67


Part No.	Wire Size	Rated Current
A086-2M08-C050N-0A	AC 6mm <sup>2</sup> /DC 50mm <sup>2</sup>	AC 32A/DC 200A


EV Connectors

	Connector	Energy Storage 1000V 6.0 Right Angle Plug	
	Connector Polarity & Color	Positive Pole	Red and Orange
		Negative Pole	Black
	Unlocking Method	Hand Unlocking	
	Rated Current	60A & 100A & 120A	
	Wire Size	EV 10mm <sup>2</sup> BARE COPPER	
		EV 16mm <sup>2</sup> BARE COPPER	
		EV 25mm <sup>2</sup> BARE COPPER	
Wire Rated Voltage	1000V /1500V		
Operation Temperature	-40°C~125°C		
IP Level	IP67		


	Connector	Energy Storage 1000V 6.0 Straight Plug	
	Connector Polarity & Color	Positive Pole	Red and Orange
		Negative Pole	Black
	Unlocking Method	Tool Or Hand Unlocking	
	Rated Current	60A & 100A & 120A	
	Wire Size	EV 10mm <sup>2</sup> BARE COPPER	
		EV 16mm <sup>2</sup> BARE COPPER	
		EV 25mm <sup>2</sup> BARE COPPER	
Wire Rated Voltage	1000V /1500V		
Operation Temperature	-40°C~125°C		
IP Level	IP67		

# Energy Storage Cable

	Connector	Energy Storage 1000V 8.0 Right Angle Plug	
	Connector Polarity & Color	Positive Pole	Red and Orange
		Negative Pole	Black
	Unlocking Method	Hand Unlocking	
	Rated Current	120A & 150A & 200A	
	Wire Size	EV 25mm <sup>2</sup> BARE COPPER	
		EV 35mm <sup>2</sup> BARE COPPER	
		EV 50mm <sup>2</sup> BARE COPPER	
Wire Rated Voltage	1000V/1500V		
Operation Temperature	-40°C~125°C		
IP Level	IP67		

	Connector	Energy Storage 1500V 8.0 Right Angle Plug	
	Connector Polarity & Color	Positive Pole	Red and Orange
		Negative Pole	Black
	Unlocking Method	Hand Unlocking	
	Rated Current	120A & 150A & 200A	
	Wire Size	EV 25mm <sup>2</sup> BARE COPPER	
		EV 35mm <sup>2</sup> BARE COPPER	
		EV 50mm <sup>2</sup> BARE COPPER	
Wire Rated Voltage	1500V		
Operation Temperature	-40°C~125°C		
IP Level	IP67		

Energy Storage Cable

	Connector	Energy Storage 1500V 10.0 Right Angle Plug	
	Connector Polarity & Color	Positive Pole	Red and Orange
		Negative Pole	Black
	Unlocking Method	Hand Unlocking	
	Rated Current	150A & 200A & 300A	
	Wire Size	EV 35mm <sup>2</sup> BARE COPPER	
		EV 50mm <sup>2</sup> BARE COPPER	
		EV 70mm <sup>2</sup> BARE COPPER	
	Wire Rated Voltage	1500V	
Operation Temperature	-40°C~125°C		
IP Level	IP67		

ES Wire Harness Coding Specification

AP10-0610BRN-0610ORN-O-0540

- TOTAL LENGTH“L” UNIT MM. 0540=540MM
- WIRE COLOR: B-BLACK & R-RED & O-ORANGE
- UNLOCKING METHOD: N-Hand Unlocking & T-Tool Unlocking
- SHAPE: R-RIGHT ANGLE PLUG & S: STRAIGHT PLUG
- POLARITY&COLOR: POSITIVE POLE: R-RED & O-OANGE NEGATIVE POLE: B-BLAK
- CROSS-SECTIONAL AREA OF WIRE: 10=10mm<sup>2</sup> 16=16mm<sup>2</sup>  
25=25mm<sup>2</sup> 35=35mm<sup>2</sup> 50=50mm<sup>2</sup> 70=70mm<sup>2</sup>
- EV SERIES: 06-6.0 SERIES & 08-8.0 SERIES & 10-10.0 SERIES
- VOLTAGE: 10-1000V & 15-1500V
- WIRE HARNESS

# Other Products

## Automotive Components Series



20POS OBD Socket



Power Header



23POS Header Water Proof



64POS Entertainment System Socket



Sensor Connector

## Electrical Connectors Series



USB Type C Side Entry



USB Type C Water Proof



USB Type A Socket



RJ45



SD Card

## Header Series



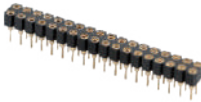
Pin Header



Female Header



Wafer



Machined Header



Box Header

## Wire Harness Series



24p Heavy Duty Wire



New Energy Wire Harness



ECG Lead Wire Harness



Vibration Mirror Wire

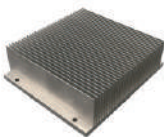


DB 8W8 Female Wire

## Metal Series



Die Casting



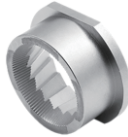
Extrusion Part



CNC Lathe Round Part



Forging Part



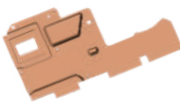
Metal Injection Molded Inner Gear



Heat Sink



Sheet Metal Part



Base Plate



Clip



Crimped Terminal





**“STRIVING FOR PERFECTION  
IN EVERY THINGS  
YOU DO”**

---

**By : Sir Henry Royce**

**FPIC<sup>®</sup>**

**Shenzhen Forman Precision Industry Co., Ltd**

**Address:** No.282, Gongchang Rd., Guangming District, Shenzhen, China.

**TEL:** +86-755-81738902

**Email:** [info@fpiconn.com](mailto:info@fpiconn.com)