



电池接口产品-硬连接3+10Pin 电池端连接器

Battery Interface products - Hard-connect 3+10Pin battery end connectors

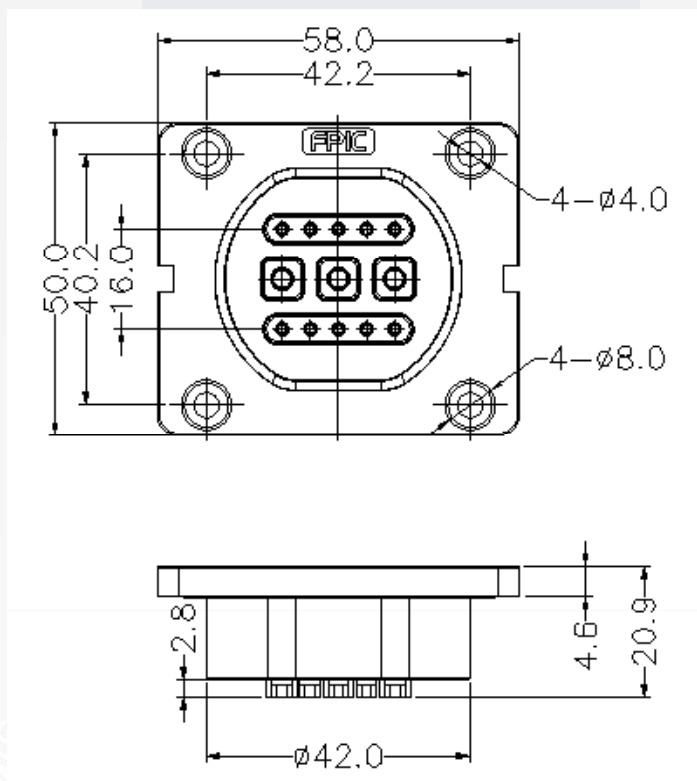
电池端插头，方盘安装，与车端插座对插具有引导，180度反插功能；主要用于电池充放电接口。

Battery side plug, flange mounting, has guiding and reversible connection functions; mainly applies to charging and discharging of battery side.



电池端型号：
connector P/N :
A0AM-8004-303

尺寸参数：
Dimension:



技术参数 Technical parameters

结构特性: Configuration Features:	Power x 3 + Signal x 10
额定电流: Rated current:	Power 40A / Signal 2A
耐电压 (AC.V.1分钟): Withstand voltage (AC.V. 1Min):	500V
绝缘电阻: Insulation resistance:	≥1000MΩ
防护等级: IP degree:	IPX7 装配后 After assembly
机械寿命: Endurance:	≥5000
工作温度: Working temp:	-40℃~85℃

材料参数 Material parameters

塑胶件: Insulator parts:	PA66
接触件: Contacts:	铜合金 Copper alloy
端子电镀: Terminal plating :	镀金 Gold plating
橡胶件: Rubber parts:	硅橡胶 Silicone rubber
阻燃等级: Flammability Rating:	UL94-V0



电池接口产品-硬连接3+10Pin 车端/柜端连接器

Battery Interface products - hardwired 3+10Pin car/cabinet end connectors

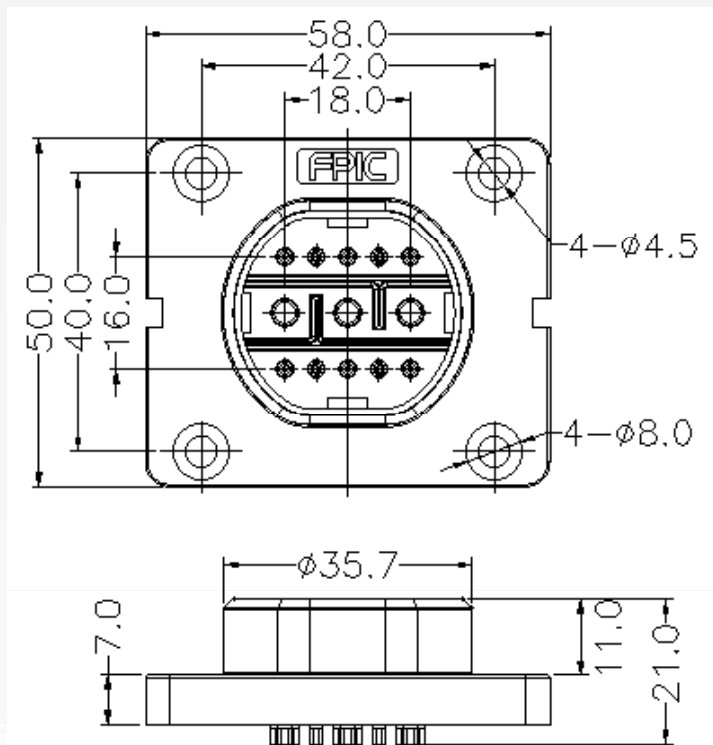
车端插头，方盘装，与电池端插座对插具有引导，180度反插功能；主要用于车端充放电接口。

Vehicle side receptacle, flange mounting; has guiding and reversible connection functions; mainly applies to discharging of vehicle side.

车端/柜端型号：
connector P/N:
A0AM-8003-303



尺寸参数：
Dimension:



技术参数 Technical parameters

结构特性: Configuration Features:	Power x 3 + Signal x 10
额定电流: Rated current:	Power 40A / Signal 2A
耐电压 (AC.V.1分钟): Withstand voltage (AC.V. 1Min):	500V
绝缘电阻: Insulation resistance:	≥1000MΩ
防护等级: IP degree:	IPX7 装配后 After assembly
机械寿命: Endurance:	≥5000
工作温度: Working temp:	-40℃~85℃

材料参数 Material parameters

塑胶件: Insulator parts:	PA66
接触件: Contacts:	铜合金 Copper alloy
端子电镀: Terminal plating:	镀金 Gold plating
橡胶件: Rubber parts:	硅橡胶 Silicone rubber
阻燃等级: Flammability Rating:	UL94-V0

电池接口产品-直插电池端连接器



Battery Interface products - In-line battery connector

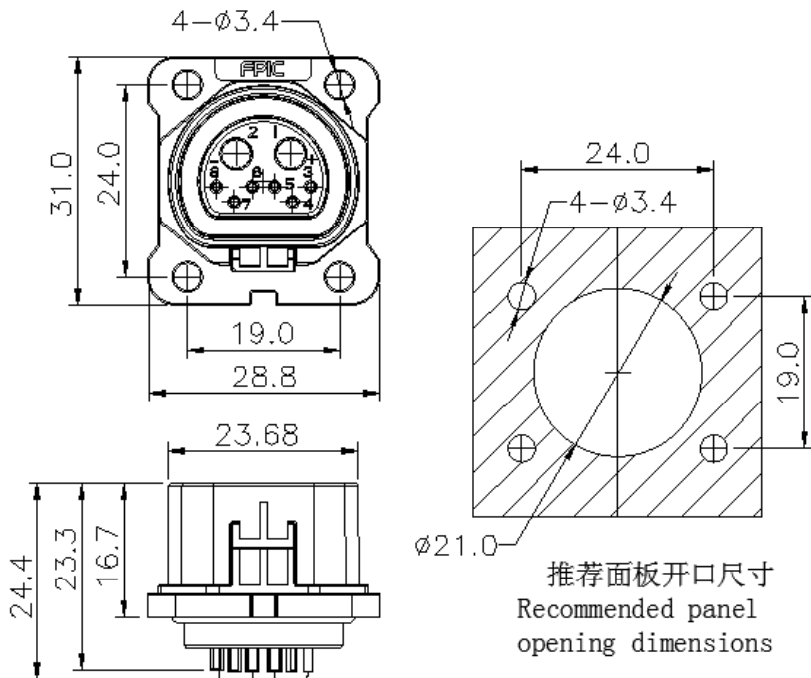
推拉锁紧连接器，锁紧和解锁快捷可靠，插座装孔，主要用于电池充放电接口。

Push-pull locking connector, simply and reliable operation, receptacles with sockets, mainly applies to charging and discharging of battery side.

电池端连接器：
connector P/N:
A0AM-0365-363



尺寸参数：
Dimension:



技术参数 Technical parameters

结构特性: Configuration Features:	Power x 2 + Signal x 6
额定电流: Rated current:	Power 35A(4mm ²)& 20A(2mm ²) Signal 2A
耐电压 (AC.V.1分钟): Withstand voltage (AC.V. 1Min):	500V
绝缘电阻: Insulation resistance:	≥1000MΩ
防护等级: IP degree:	IPX7 装配后 After assembly
机械寿命: Endurance:	≥5000
工作温度: Working temp:	-40℃ ~ +85℃
端接特性: Termination Features:	焊接 Soldering

材料参数 Material parameters

塑胶件: Insulator parts:	PA66
接触件: Contacts:	铜合金 Copper alloy
端子电镀: Terminal plating :	镀金 Gold plating
橡胶件: Rubber parts:	硅橡胶 Silicone rubber
阻燃等级: Flammability Rating:	UL94-V0

电池接口产品-直插电池端连接器

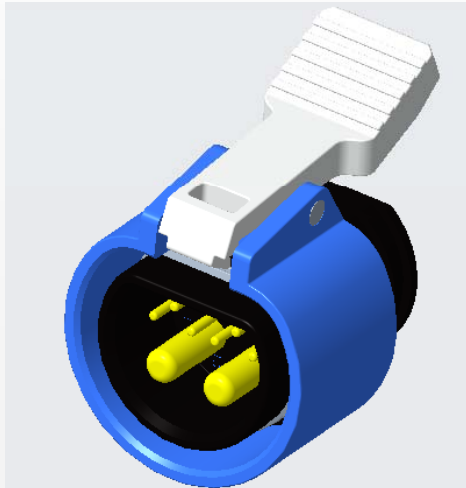


Battery Interface products - In-line battery connector

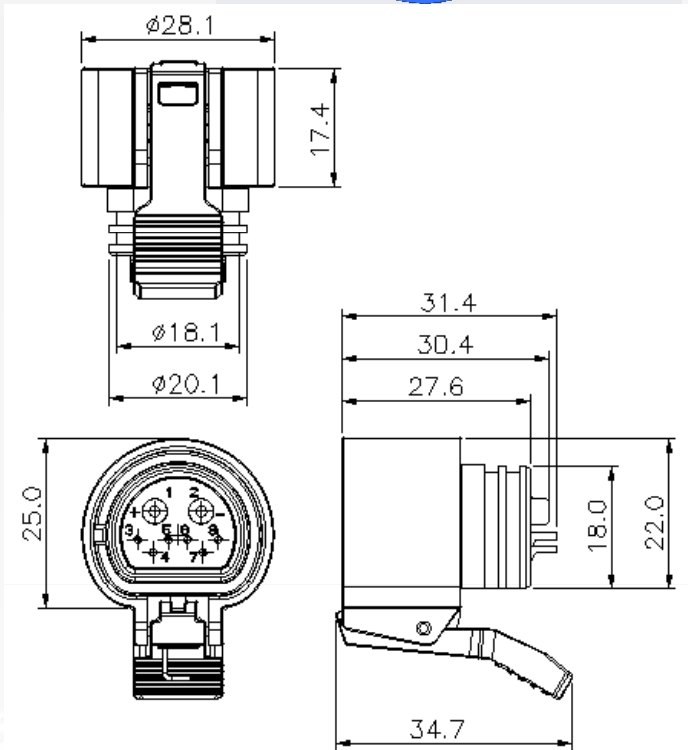
推拉锁紧连接器，锁紧和解锁快捷可靠，插座装孔，主要用于电池充放电接口

Push-pull locking connector, simply and reliable operation, plugs with pins, mainly used for charging and charging and discharging of battery side.

电池端连接器：
connector P/N：
A0AM-0365-363



尺寸参数：
Dimension:



技术参数 Technical parameters

结构特性: Configuration Features:	Power x 2 + Signal x 6
额定电流: Rated current:	Power 35A(4mm ²)& 20A(2mm ²) Signal 2A
耐电压 (AC.V.1分钟): Withstand voltage (AC.V.1Min):	500V
绝缘电阻: Insulation resistance:	≥1000MΩ
防护等级: IP degree:	IPX7 装配后 After assembly
机械寿命: Endurance:	≥5000
工作温度: Working temp:	-40℃ ~ +85℃
端接特性: Termination Features:	焊接 Soldering

材料参数 Material parameters

塑胶件: Insulator parts:	PA66
接触件: Contacts:	铜合金 Copper alloy
端子电镀: Terminal plating :	镀金 Gold plating
橡胶件: Rubber parts:	硅橡胶 Silicone rubber
阻燃等级: Flammability Rating:	UL94-V0